



PARTS LIST

Truck Cargo 1¼ Ton 4x4 M715

and

Truck Ambulance 1¼ Ton 4x4 M725

KAISER Jeep CORPORATION

TOLEDO, OHIO 43601, USA

W-1202

KAISER Jeep CORPORATION

TOLEDO 1, OHIO

June, 1968

TO: DEALERS AND REGIONS

SUBJECT: PARTS LIST MILITARY MODELS M715 AND M725

Enclosed is the Parts List covering the Truck, Cargo, 1 1/4 Ton, 4 X 4, M715 and Ambulance, M725. Approximately 21,000 have been produced to date for the U.S. Government and 'Jeep' dealers in some areas will quite likely be called on to perform warranty repairs.

This Parts List W1202 is furnished complete with loose leaf binder and we will issue new and replacement pages as necessary to keep the book current.

This reference book is part of the Annual Publication Service and if additional copies are required, please contact your Regional Parts Manager.

Very truly yours,

KAISER Jeep CORPORATION


W. H. Kretz
General Parts Manager

jlj

Enclosure

Kaiser Jeep Parts Manual

This manual was issued to Jeep dealers during production of the M-715. As the letter states, it was for warranty parts ordering. The first manuals were in 3 ring format and later in a bound book. This scan combines parts from both. The pages are from the bound book and the cover and letter are from the 3 ring version. Thanks to "Blitz" for the bound pages and "Fishtail" for the missing pages.

Surplus dealers copied these manuals in the 70's and sold or gave them to customers. The surplus dealer issues are exact copies of the parts pages but contained the dealer name and address and other information the dealer may have added.

TRUCK, CARGO: 1¼ TON, 4x4, M715

INTRODUCTION

KAISER Jeep CORPORATION

PARTS MANUAL with SPECIFICATIONS and TECHNICAL INFORMATION

INTRODUCTION

This manual covers the truck, cargo 1¼ ton 4x4 M715 and the truck, ambulance 1¼ ton 4x4 M725 vehicle.

The M715/M725 is a four-wheel drive vehicle, equipped with a 24-volt military-type electrical system. Major power train components consist of 6-230 OHC Tornado engine, mounting a 10½" clutch, turning a Warner Gear T98A 4-speed transmission with a remote mounted New Process model 200 transfer case. The M715/M725 vehicle utilizes a Spicer model 60 front axle and model 70 rear axle in conjunction with 9.00 x 16 military-type NDMS tires and tubes with single tires on both axles.

Ride is controlled by four vertically positioned shock absorbers mounted in rubber at all four wheels. Service brakes are of the Wagner hydraulic self-energizing type and the parking brake is hand actuated.

GENERAL

This manual has been assembled with as much parts identification as available. You will note that each page has three columns of parts numbers: (1) Federal Stock Number, (2) Ordnance Part Number, and (3) Manufacturers Part Number. Your orders should include as many numbers as available, a complete description of the item required and the page number and key.

Items appearing without a part number have been designated by the military as "Non-Service", however, under some circumstances many of these have been subsequently identified and may be presently available. Please discuss requirements with our parts personnel.

This manual provides parts identification only for those vehicles still retaining the military configuration. Should your vehicle have been converted or modified in any way please advise our parts personnel immediately when discussing your requirements.

SPECIFICATIONS AND TECHNICAL INFORMATION

A list of basic specifications appear on the first sheet of this manual. The final page, Page 61, contains selected items of technical information, as well as, the most frequently required torque ratings. Your comments regarding this section are solicited and will be considered for inclusion in future printings.

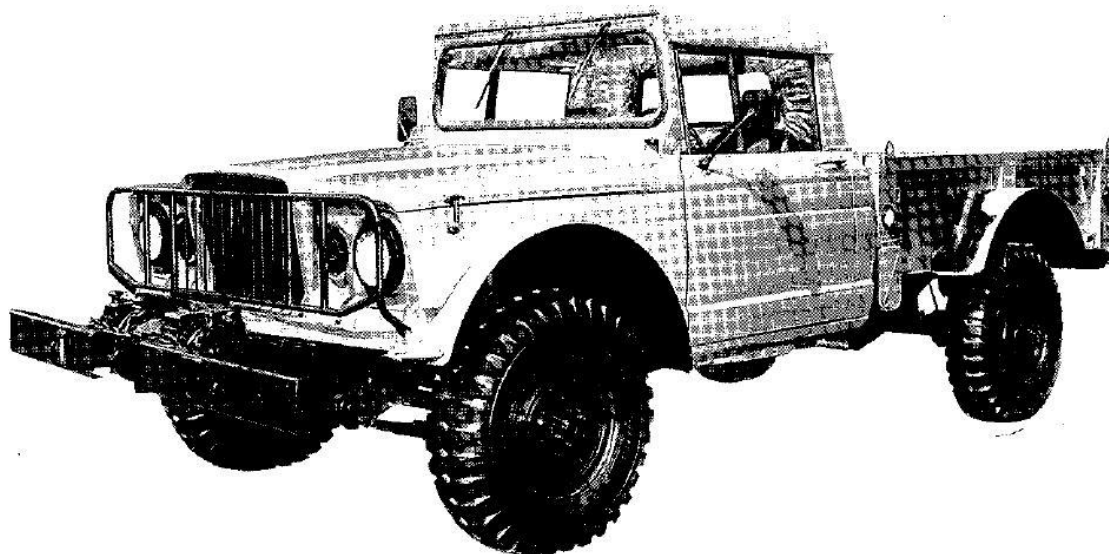
TRUCK, CARGO: 1¼ TON, 4x4, M715

KAISER Jeep CORPORATION

INDEX

	Page No.		Page No.
AXLES	37-40	ENGINE (Cont'd)	
Front	37-38	Manifolds	1-2
Rear	39-40	Oil Filter	1-2
BRAKE SYSTEM	41-44	Oil Pan	3-4
Brake Pedal	43	Oil Pump	1-2
Brake Shoes	42	Pistons	5-6
Hand Brakes	31-32 & 41	Rings	5-6
Lines	42 & 44	Supports	9-10
Master Cylinder	43	Timing Gears	3-4
Wheel Cylinder	42	Valves	7-8
CAB DOORS	55	EXHAUST SYSTEM	17-18
CLUTCH	11-12	FUEL SYSTEM	13-16
Pilot Bearing	5-6	Accelerator & Cable	15-16
COOLING SYSTEM	19-20	Air Cleaner	14
Fan Belts	19-20	Carburetor	13
Fan Blade	1-2 & 19-20	Choke Cable	15-16
Radiator	19-20	Fuel Pump	1-2 & 13
Thermostat	1-2 & 19-20	Fuel Tank	14
Water Pump	1-2 & 19-20	HUBS & DRUMS	45-46
DRIVE SHAFTS	35-36	Front	45
ELECTRICAL SYSTEM	21-26	Rear	39-40 & 46
Alternator	21-22	POWER TAKE OFF	59-60
Battery	25-26	SHOCK ABSORBERS	51-54
Distributor	1-2 & 23-24	Front	51-52
Gauges	25-26	Rear	53-54
Horn	25-26	SPRINGS	51-54
Sealed Beams	25-26	Front	51-52
Spark Plugs	23-24	Rear	53-54
Starting Motor	21-22	STEERING	47-50
Switches	25-26	TIRES	45-46
ENGINE	1-10	TRANSFER CASE	29-34
Bearings	5-6	TRANSMISSION	27-28
Block	3-4 & 5-6	WHEELS	45-46
Camshaft	7-8	WINCH	57-58
Connecting Rods	5-6	Drive Shaft	59-60
Crankshaft	5-6	WINDSHIELD	56
Cylinder Head	7-8	Wipers	56
Flywheel	5-6	TECHNICAL INFORMATION	61
Flywheel Housing	1-2	TORQUE SPECIFICATIONS	61

THIS MANUAL COVERS COMPLETE PARTS AND ACCESSORIES



KAISER—JEEP 1-1/4 TON 4x4 TRUCK SPECIFICATIONS

MODEL M-715

ENGINE

Model American Motors
 Type 6-230 Overhead Cam
 Horsepower 132.5 @4000 RPM
 Displacement 230.5 cu. in.
 Bore 3.34375"
 Stroke 4.375"
 Oil Capacity (with filter) 6 qts.

RADIATOR

Capacity 12 qt.

FUEL

Carburetor Holley
 Capacity 28 gal.

TRANSMISSION

Warner Gear Model T-98A
 Type 4-speed, synchromesh

TRANSFER CASE

New Process 200 Series
 Ratio High 1.00:1, Low 1.91:1

CLUTCH

Dry plate 10½", 296 ft. lbs.

AXLES

Type Full-Floating
 Front Dana Model 60
 Rear Dana Model 70
 Ratio 5.87:1

ELECTRICAL SYSTEM

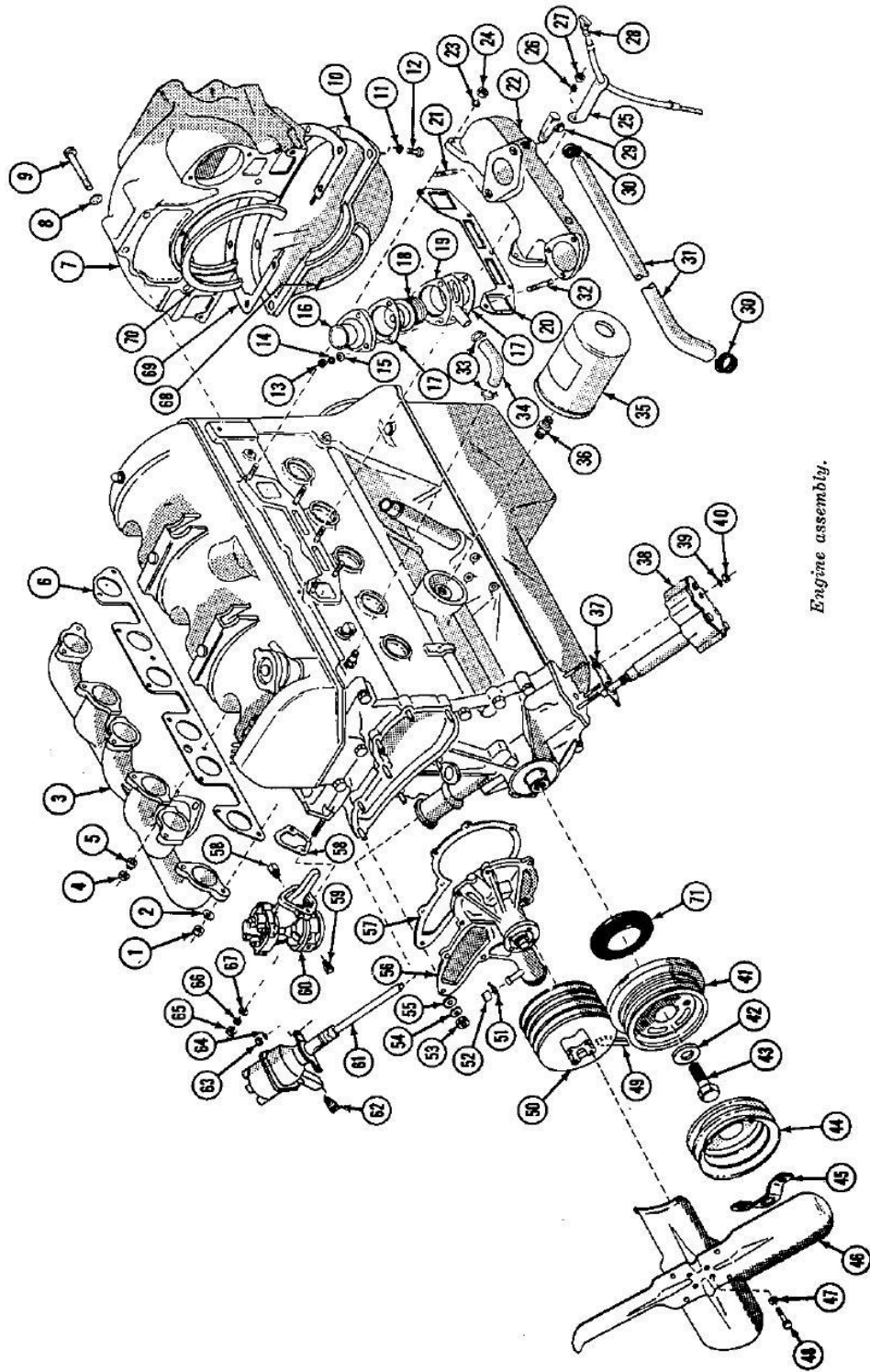
Starting, ignition, lights 24 volt
 Front winch (optional) 7500 # cap.
 Brakes Hydraulic
 Wheelbase 126"
 Tire size 9.00x16-8 ply. M&S
 Speed 55 MPH

DIMENSIONS

OAL (w/w) 220-3/4"
 OAW 85"
 OAH 95"
 Weight 5180#
 Bed Dimensions (inside) 92½"x64"x16"
 Turning radius 28'

TRUCK, CARGO: 1 1/4 TON, 4x4, M715

KAISER Jeep CORPORATION



Engine assembly.

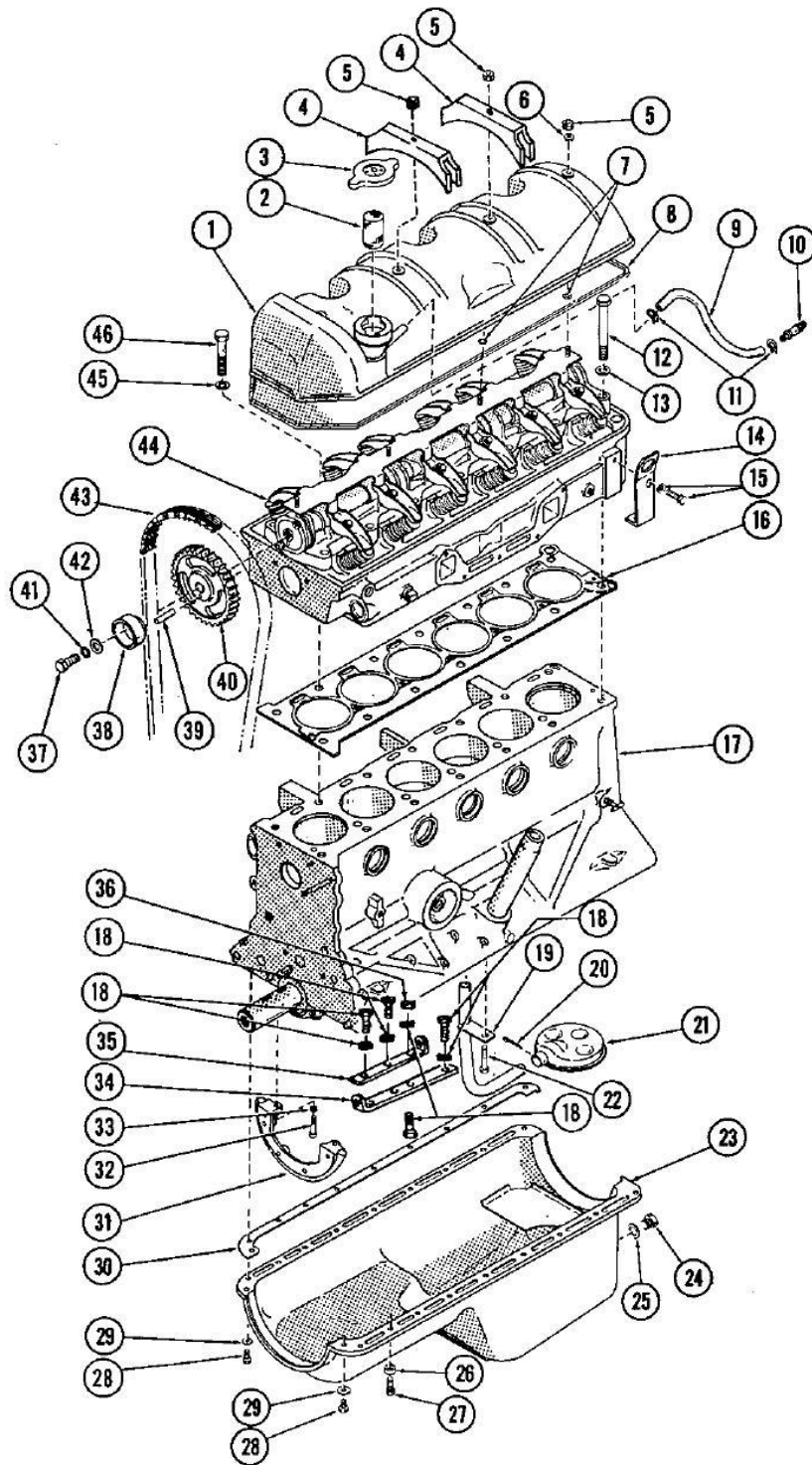
TRUCK, CARGO: 1 1/4 TON, 4x4, M715
KAISER Jeep CORPORATION

ENGINE ASSEMBLY

Key No.	Description	Federal Stock No.	Ordnance Part No.	Manufacturer's Part No.	Qty. Per Assy.	Key No.	Description	Federal Stock No.	Ordnance Part No.	Manufacturer's Part No.	Qty. Per Assy.
1	Engine Assy.	2805-9273298		65909-943848	1	36	Adapter	2805-9273338	11640948	65909-929406	1
2	Gasket set, valve grind	2805-9273285		65909-944599	1	37	Gasket			65909-929406	1
3	Gasket set, overhauled	2805-9273282		65909-944617	1	38	Oil pump	2805-9333550		65909-944626	1
4	Nut, 3/8"-24	5310-4598254	M521045-C5	65909-944617	10	39	Lockwasher, 5/16"	5310-4079566	M523338-45	24617-120214	3
5	Washer, plain, 3/8"	10910174-22	10910174-22	65909-K-721960	8	40	Nut, 5/16"-24	5310-8807746	M521968-5	24617-120368	3
6	Manifold, exhaust	2805-4425901	11658805	65909-946127	1	41	Pulley Assy.	2805-9175583		65909-944231	1
7	Nut (same as #1)	2805-9273292			1	42	Washer, special	5305-2074628		65909-K-785826	1
8	Washer, special	5310-4622745	11658860	65909-946174	2	43	Bolt, 3/4"-16 x 2"			24617-422811	1
9	Gasket, exhaust manifold	2805-9293563	11658803	65909-947053	1	44	Pulley (part of #41)	2830-8333549		65909-924373	1
10	Housing, flywheel	65909-947406		65909-947406	1	45	Lock	2830-1682340	11657642	65909-948699	1
11	Lockwasher, 7/16"	24617-120383		24617-120383	4	46	Blade, fan	5310-4079566	M523338-45	24617-120214	4
12	Lockwasher, 7/16"	24617-187151		24617-187151	2	47	Lockwasher, 5/16"	M590725-34		24617-180079	4
13	Pan, flywheel hasg.	24617-120214	M523338-45	24617-120214	8	48	Bolt, 5/16"-1.8 x 1"	M521085-42-3		65909-	1
14	Lockwasher, 5/16"	5310-4079566		24617-120214	1	49	Belt set, fan & alternator	3030-9333601			1
15	Not required	5310-8807746	M521988-5	24617-120214	3	50	Pulley, water pump (part of #50)				1
16	Gasket, thermostat	2830-0402513		24617-120383	3	51	Same as #80	2830-4533808	11657689	65909-930864	1
17	Gasket, thermostat	2830-6996021	8328456	65909-600293	1	52	Cap, water pump	5310-8807746	M521969-5	24617-120368	7
18	Thermostat, 190°	6620-9333598	11662554	65909-64852	2	53	Nut, 5/16"-24	5310-4079566	M523338-45	24617-120214	7
19	Spacer, water outlet	2830-1987141		65909-944657	1	54	Lockwasher, 5/16"	5310-8814219	M527183-12	24617-120368	7
20	Gasket, intake manifold		11662902	65909-929019	1	55	Washer, plain, 5/16"	2830-8333721	5704426	65909-944237	1
21	Nut, 3/8" x 1-1/16"		11640814	65909-927049	1	56	Water pump			65909-944130	1
22	Manifold, intake	2805-9170717	11658955	65909-926158	2	57	Gasket, water pump	5330-4630470	11657675	65909-944533	1
23	Lockwasher, 5/16"	5310-4079566	M523338-45	65909-944189	1	58	Gasket, fuel pump	11657582		65909-983937	1
24	Nut, 5/16"-24	5310-8807746	M521988-5	24617-120214	5	59	Elbow & connector	2810-9273285	5704405	65909-944249	1
25	Tube, oil level guide			65909-941059	1	60	Fuel pump			65909-944561	1
26	Same as #23				5	61	Distributor	2910-927379		65909-983600	1
27	Same as #24				1	62	Elbow			24617-137420	1
28	Indicator, oil level	6690-1579783	11657318	65909-947229	1	63	Nut, 5/16"-24	5310-8807746	M521968-5	24617-120368	1
29	Elbow, water by-pass	4730-2500393	11640709	65909-951614	1	64	Lockwasher, 5/16"	5310-4079566	M523338-45	24617-120214	1
30	Clamp, hose, water by-pass	4730-9083194	M525882-11	24617-443532	2	65	Nut, 5/16"-24	5310-8807746	M521968-5	24617-120368	2
31	Hose, water by-pass	2930-4561314	11667629	65909-944552	1	66	Lockwasher, 5/16"	5310-4079566	M523338-45	24617-120214	2
32	Stud, 5/16" x 2-5/8"			65909-924531	3	67	Washer, 5/16"	5310-0814219	M527183-12	24617-120393	2
33	Clamp	5340-4530482	432714	24617-9411984	1	68	Gasket			65909-948691	1
34	Hose, pressure relief	4720-4561315	11666959	65909-930261	2	69	Gasket			65909-947409	1
35	Element, oil filter	2940-8326054	11630417	19207-	1	70	Gasket			65909-948690	1
						71	Seal			65909-948610	1
							NOT PICTURED:				
							Gasket, Timing Case to Block	2805-1109778	11657913	65908-944601	1
							Seal, Timing Cover	11640704		65908-948609	1

**ENGINE BLOCK
AND OIL PAN**

TRUCK, CARGO: 1 1/4 TON, 4x4, M715
KAISER Jeep CORPORATION



Cylinder block, rocker cover and oil pan.

TRUCK, CARGO: 1¼ TON, 4x4, M715

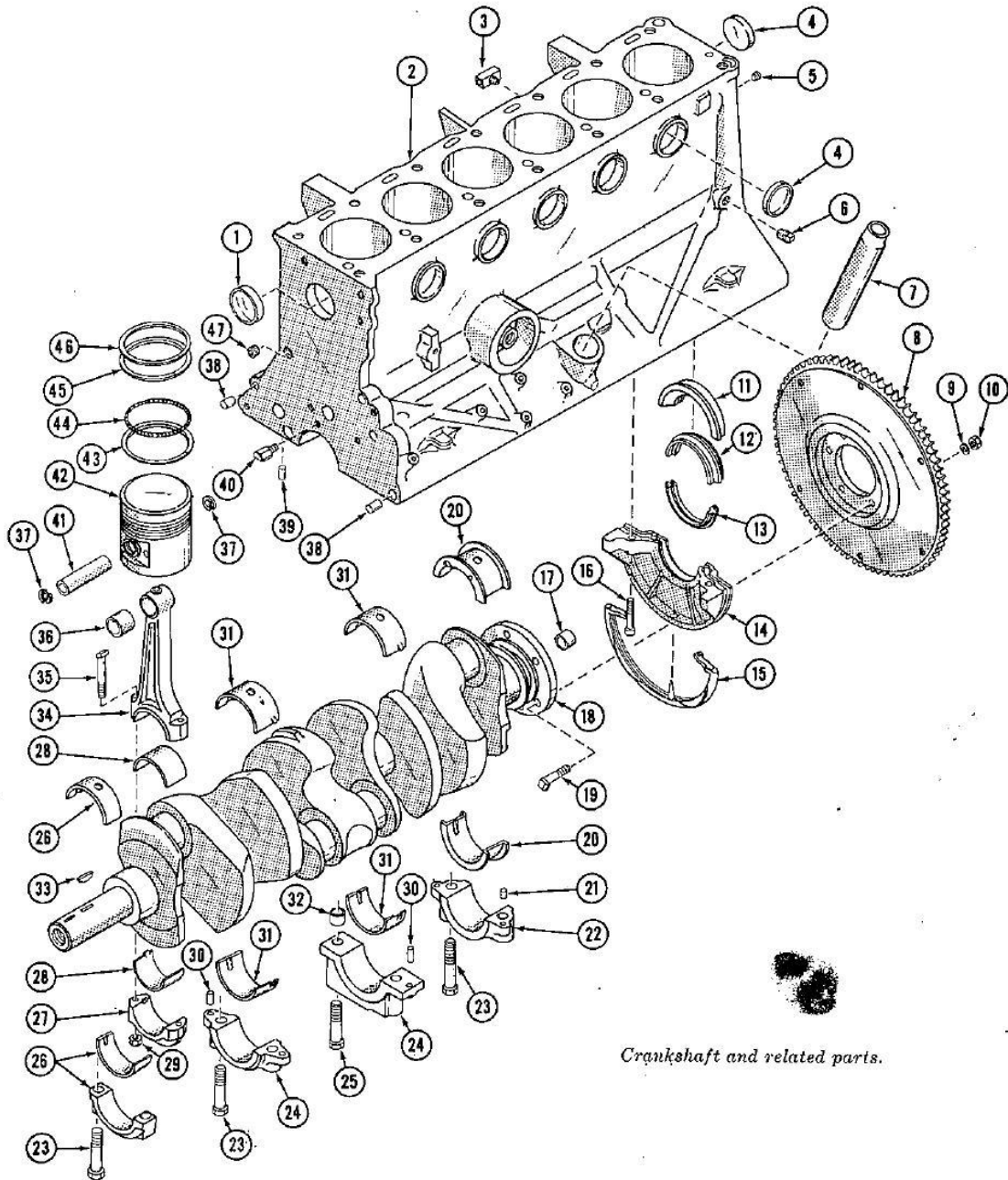
KAISER Jeep CORPORATION

ENGINE BLOCK AND OIL PAN

Key No.	Description	Federal Stock No.	Ordnance Part No.	Manufacturer's Part No.	Qty. Per Assy.
	Gasket set, exh. manifold			65909-944620	1
	Gasket set, int. manifold	2805-9273289	5704401	65909-944619	1
	Gasket set, oil pan	2805-9273325		65909-945708	1
	Timing sprocket set	2805-9273269		65909-944256	1
1	Cover, rocker arm			65909-928210	1
2	Screen, oil filler			65909-929682	1
3	Cap, oil filler	2805-9333534	11641028	65909-931716	1
4	Brace, rocker cover			65909-944065	2
5	Nut, 3/8"-24			24617-120369	4
6	Washer, plain, 3/8"			65909-K-731960	3
7	Seal, rocker cover			65909-932824	4
8	Gasket	2805-9333718	11640743	65909-936953	1
9	Tube, vent			65909-931542	1
10	Valve, vent	2805-4627039	11640816	65909-941313	1
		4820-9273346			
11	Clamp	4730-2302959	MS39326-11	24617-272847	2
12	Bolt, 5-1/2" long	2805-9170619		65909-926089	9
13	Washer	5310-9279400		65909-930856	14
14	Eye	5340-1577681	11656967	19207-	1
15	Bolt	5306-0451976		24617-451976	1
16	Gasket, cylinder head	2590-2262159		65909-945519	1
17	Block only				
18	Bolt				
19	Tube & bracket			65909-929891	1
20	Pin, cotter, 3/32" x 1			24617-121224	1
21	Screen, oil intake			65909-926083	1
22	Bolt				
23	Oil pan	2805-9170712		65909-944459	1
24	Plug, drain	2805-9184780	MS35844-99	65909-915863	1
		4730-9333741			
25	Gasket	5330-8342912	MS35769-18	65909-806515	1
		5330-1995878			
26	Spacer			65909-669842	2
27	Bolt, 5/16"-18 x 3/4"			65909-680440	1
28	Bolt, 5/16"-18 x 3/4"			65909-931635	17
29	Washer, plain, 5/16"			24617-120393	16
30	Gasket			65909-932182	2
31	Block, filler			65909-946068	1
32	Capscrew, 5/16"-18 x 1"			24617-138222	2
33	Not required				
34	Bracket		11657261		1
35	Bracket		11657198		1
36	Nut				
37	Bolt, 1/2"-20 x 2"			24617-124169	1
38	Eccentric, fuel pump			65909-929041	1
39	Dowel pin, (part of #40)				1
40	Sprocket, camshaft			65909-926157	1
	Sprocket, crankshaft			65909-926013	1
41	Lockwasher, 1/2"			24617-120384	1
42	Washer, plain, 1/2"			65909-808961	1
43	Chain, timing	2805-9273275		65909-926002	1
44	Cylinder head	2805-9170614		65909-944078	1
45	(Same as #13)				
46	Bolt, 2-1/2" long	2805-9170708		65909-929090	3

TRUCK, CARGO: 1 ¼ TON, 4x4, M715

KAISER Jeep CORPORATION



Crankshaft and related parts.

TRUCK, CARGO: 1 1/4 TON, 4x4, M715

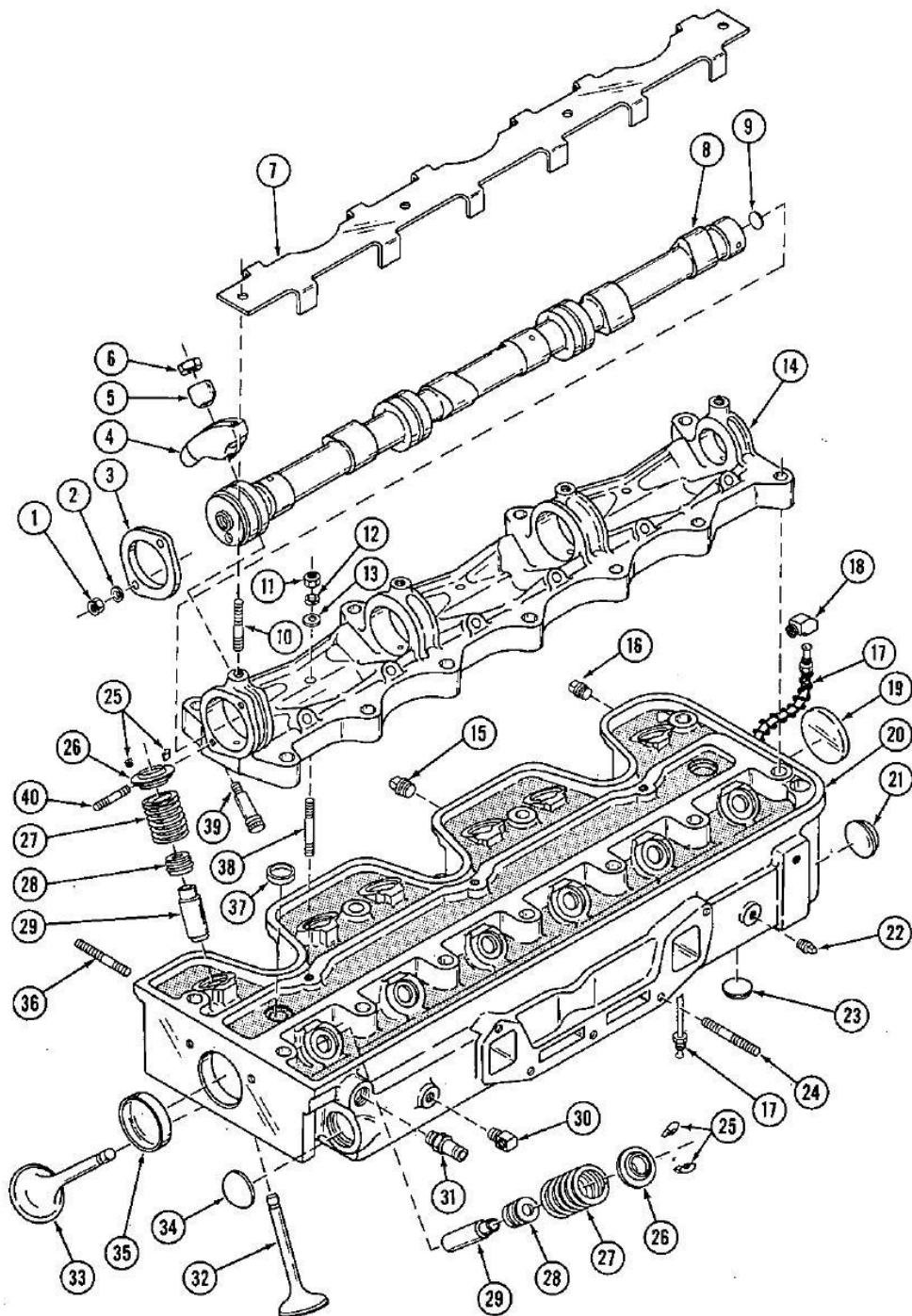
ENGINE — PARTIAL

KAISER Jeep CORPORATION

Key No.	Description	Federal Stock No.	Ordinance Part No.	Manufacturer's Part No.	Qty. Per Assy.
	Bearing set, main, std. (Includes items 20, 26, 31)	2805-9273243		65909-944234	1
	Ring set, std. (Includes items 43, 44, 45, 46)	2805-9273284		65909-944624	1
1	Plug, expansion			65909-944665	1
2	Block				1
3	Tec, 1/4" x 18	4730-7659091		24617-444120	1
4	Plug, 1-5/8" expansion			65909-K-733598	6
5	Plug				1
6	Plug, pipe, 1-1/4"	4730-0127951		24617-127951	1
7	Tube	4710-4724190	11656798	65909-936500	1
8	Flywheel w/ring gear assy.)	2805-9273272		65909-930833	1
9	Lockwasher, 3/8"			24617-138542	6
10	Nut, 3/8"-24	5310-7744472		65909-641769	6
11	Guard			65909-925115	1
12	Seal, rear main			65909-921039	2
13	Same as #12				
14	Block, filler			65909-944504	1
15	Seal (included in #14)				
16	Screw, 5/16"-18 x 1-1/4"			24617-138223	2
17	Bushing, pilot	2520-9273293		65909-939896	1
18	Crankshaft assy.	2805-9273281		65909-938166	1
19	Bolt, flywheel	2805-9171016		65909-932674	6
20	Part of main brg. set				
21	Dowel			65909-K-701415	5
22	Cap, main bearing				
23	Screw			65909-K-735979	6
24	Cap, main bearing				
25	Screw			65909-K-735980	2
26	Part of main bearing set				
27	Cap, conn. rod (Part of #34)				
28	Bearing, conn. rod Std. (#1-3-5)	2805-9273290		65909-944233	3
28	Bearing, conn. rod Std. (#2-4-6)	2805-9273330		65909-944622	3
29	Nut	5310-9279395		65909-K-711057	12
30	Dowel			65909-K-709327	2
31	Part of main brg. set				
32	Ring			65909-K-701414	1
33	Key, Woodruff #A			24617-112139	1
34	Rod, connecting (#1-3-5)	2805-9333555		65909-928973	3
34	Rod, connecting (#2-4-6)	2805-9273322		65909-928974	3
35	Bolt	2805-9333717			
36	Bushing (Part of #34)				
37	Retainer (Part of #42)				
38	Sleeve				
39	Same as #30				
40	Oiler			65909-931633	1
41	Pin, piston (Part of #42)				
42	Piston w/pin, std.	2805-9175531		65909-944623	6
43	Part of ring set				
44	Part of ring set				
45	Part of ring set				
46	Part of ring set				
47	Same as #5				
	NOT PICTURED: Ring Gear Only, Flywheel Gear, Oil Pump & Distributor Drive (on Crankshaft)	2805-9333739		65909-930684	1
		2805-2351760	11657104	65909-944470	1

**ENGINE
CYLINDER HEAD**

TRUCK, CARGO: 1¼ TON, 4x4, M715
KAISER Jeep CORPORATION



Cylinder head and related parts.

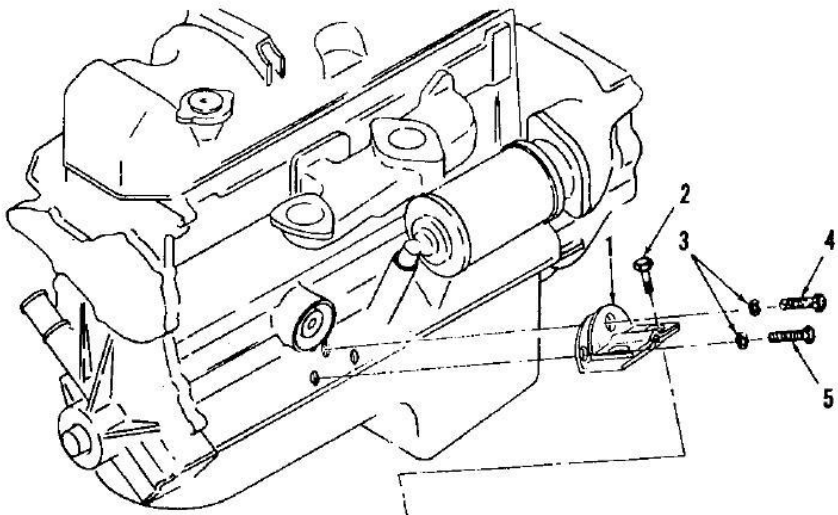
TRUCK, CARGO: 1¼ TON, 4x4, M715
KAISER Jeep CORPORATION

**ENGINE
CYLINDER HEAD**

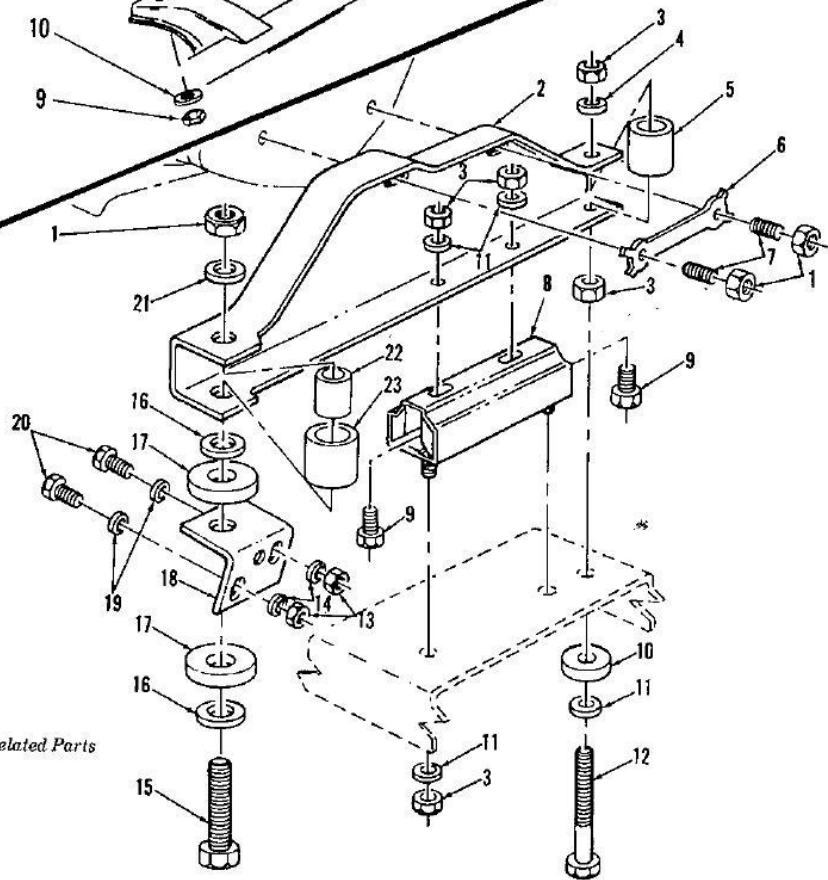
<u>Key No.</u>	<u>Description</u>	<u>Federal Stock No.</u>	<u>Ordnance Part No.</u>	<u>Manufacturer's Part No.</u>	<u>Qty. Per Assy.</u>
1	Nut, 5/16"-24	5310-8807746	MS51968-5	24617-120368	2
2	Lockwasher, 5/16"	5310-4079566	MS35338-45	24617-120214	2
3	Plate, thrust	2805-9273314		65909-926064	1
4	Arm, rocker	2805-9333740		65909-926232	12
5	Ball, rocker arm	2805-9273315		65909-929423	12
6	Nut, adjusting	5310-9279399		65909-930943	12
7	Guide, rocker arm	2805-9273335		65909-928572	1
8	Camshaft	2805-9273273		65909-932959	1
9	Plug (part of #8				
10	Stud, rocker cover			65909-928887	2
11	Nut, 5/16"-24	5310-8807746	MS51968-5	24617-120368	3
12	Lockwasher, 5/16"	5310-4079566	MS35338-45	24617-120214	3
13	Washer, 5/16"	5310-0814219	MS27183-12	24617-120393	3
14	Deck, cam bearing	2805-9003145		65909-930223	1
15	Plug				
16	Plug				
17	Line, oil	2805-1220884	11640832	65909-944664	1
18	Elbow, 5/16", 90°	4730-0143343	143343	65909-A-17750	1
19	Plug, 1-5/8"(part of #20)				1
20	Cylinder head assy.	2805-9170614		65909-944078	1
21	Plug, expansion (Part of #20)				
22	Plug, 1/4", pipe (Part of #20)				
23	Plug, expansion (Part of #20)				
24	Stud, 5/16"-18 x 24 x 1-3/4"			65909-915271	3
25	Lock, retainer	2805-3979660		65909-643334	24
26	Retainer, valve spring	2805-9333284		65909-938185	6
27	Spring, valve	2805-9333716		65909-933019	12
28	Seal, valveguide			65909-948582	12
29	Guide, valve	2805-9333535		65909-934646	12
30	Elbow			65909-931549	1
31	Nipple			65909-675015	1
32	Valve, exhaust	2805-9170709		65909-944075	6
33	Valve, intake	2805-9333737		65909-936979	6
34	Plug, expansion (Part of #20)				
35	Plug, cup (part of #20)				
36	Stud, 3/8"-16 x 2-3/8"			65909-918786	2
37	Plug, cup (part of #20)				
38	Stud, 5/16" x 1-9/16"			65909-949783	3
39	Stud, rocker arm	2805-9333738		65909-932992	12
40	Stud, thrust plate			65909-938884	2
	NOT PICTURED: Rotator, Exhaust Valve	2805-4539112	11640959	65909-926223	6

ENGINE MOUNTING

TRUCK, CARGO: 1¼ TON, 4x4, M715
KAISER Jeep CORPORATION



Engine Front Mounts



Engine Rear Mount and Related Parts

TRUCK, CARGO: 1¼ TON, 4x4, M715
KAISER Jeep CORPORATION

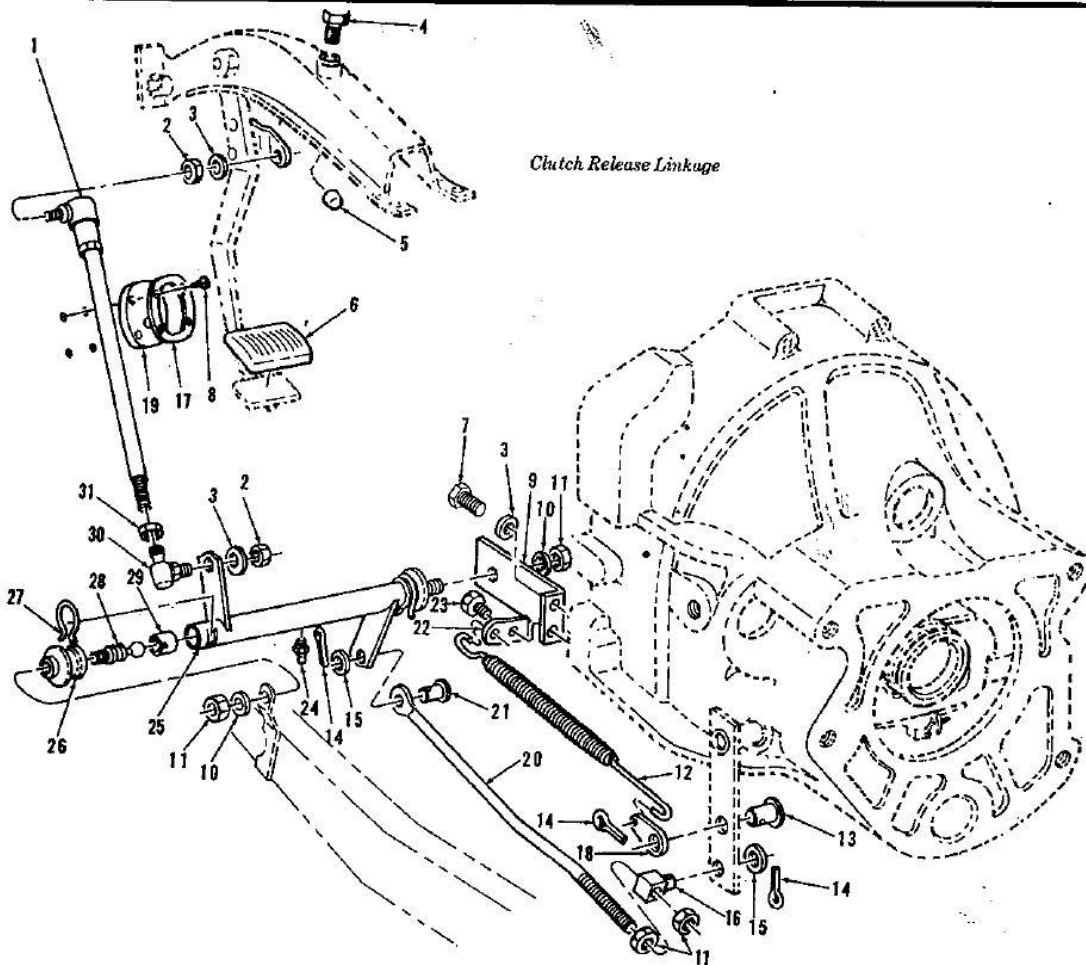
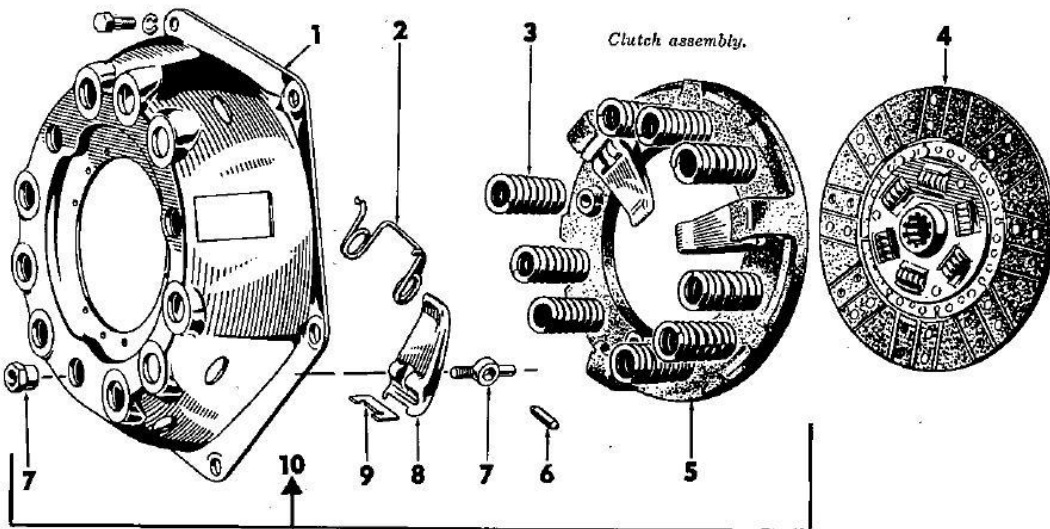
**ENGINE
MOUNTING**

Key No.	Description	Federal Stock No.	Ordnance Part No.	Manufacturer's Part No.	Qty. Per Assy.
1	Brace	2805-1598684	11656969		2
2	Bolt, 3/8"-24 x 1-1/4"	5305-2692805	MS90726-62	24617-181639	4
3	Lockwasher, 3/8"	5310-6379541	MS35338-46	24617-120382	10
4	Bolt, 3/8"-16 x 1"	5305-2693211	MS90726-60		2
5	Bolt, 3/8"-16 x 7/8"	5305-2693210	MS90725-59		4
6	Washer, plain, 3/8"	5310-0120382	MS27183-14	24617-120394	4
7	Mount, front	5340-9295724	11657839	42271-3173681	2
8	Nut, 3/8"-24	5310-7320559	MS51968-8	24617-120369	4
9	Nut, 7/16"-20	5310-1265367	MS21045C7	24617-272712	2
10	Washer	5310-2763455	8329680	65909-669118	2

1	Nut	5310-4883888	MS51943-40		3
2	Support, rear		11656942		1
3	Nut, 3/8"-24	5310-7320559	MS51968-8	24617-120369	6
4	Lockwasher	5310-8094061	MS27183-15		1
5	Spacer	5365-4109795	11656947		1
6	Lock		11656943		1
7	Stud		11657107		2
8	Insulator, rear	5340-9333314	11656970	65909-939995	1
9	Screw	5305-2692802	MS90726-59		2
10	Pad, rubber	5340-4628549	11656946		1
11	Lockwasher, 3/8"	5310-0120382	MS35338-46	24617-120382	5
12	Bolt	5305-2416690	11640782		1
13	Nut	5310-8807746	MS51968-5		2
14	Lockwasher	5310-4079566	MS35338-45		2
15	Bolt	5305-7168176	MS90726-122		1
16	Washer		11656939		2
17	Insulator, rubber	5310-4368412	11656940		2
18	Support		11656723		1
19	Washer	5310-0814219	MS27183-12		2
20	Screw	5306-2259089	MS90726-34		2
21	Washer	5310-8093079	MS27183-19		1
22	Spacer		11656944		1
23	Spacer		11656945		1

CLUTCH

TRUCK, CARGO: 1¼ TON, 4x4, M715
KAISER Jeep CORPORATION



TRUCK, CARGO: 1¼ TON, 4x4, M715

CLUTCH

KAISER Jeep CORPORATION

Key No.	Description	Federal Stock No.	Ordinance Part No.	Manufacturer's Part No.	Qty. Per Assy.
4	Disc, clutch w/lining	2520-9273278		65909-944632	1
10	Pressure plate assy.	2520-9273340		65909-936144	1

Key numbers 1 thru 3 & 5 thru 9- Not Serviced

	Bearing, clutch release	3110-9333807		65909-K-700003	1
	Bearing & sleeve assy.			65909-732698	1
1	Rod assy.	2520-4978206	11657353	65909-943897	1
2	Nut, 3/8"-24	5310-7320559	MS51968-8	24617-120369	2
3	Lockwasher, 3/8"	5310-6379541	MS35338-46	24617-120382	3
4	Bolt	5306-1775529	MS21094-6010		1
5	Bumper	2540-4438032	11656917		1
6	Cover	2350-1258727	11656845	65909-948758	1
7	Capscrew	5305-2693211	MS90725-60		1
8	Screw	5305-0569945	MS24621-18		4
9	Bracket	2520-4002435	11656844		1
10	Washer	5310-5503503	MS35335-36		2
11	Nut	5310-8352036	MS35691-29		4
12	Spring	2520-9334435	11656842	65909-946801	1
		2520-1230197			
13	Pin	5315-7540848	MS35810-33		1
14	Pin	5315-8423044	MS24665-283	24617-103373	3
15	Washer	5310-0806004	MS27183-14	24617-120394	2
16	Link	3040-4551273	1165831		1
17	Retainer	2520-4766510	11657232		1
18	Clip	2540-7375117	7375117		1
19	Grommet	5325-1580081	11657230		1
20	Link		1165922-1		1
21	Pin		11640733-1		1
	Link & pin assy. (20&21)	5340-1593849	11656922		1
22	Support		11656848	65909-919629	1
23	Capscrew	5305-2693212	MS90725-61		1
24	Fitting	4730-9163368	MS15720-1		1
		4730-0504203			
25	Bellcrank	2520-4978205	11656833	65909-944575	1
26	Boot	2540-4040682	11640763	42271-3167049	2
27	Retainer		11640765		1
28	Ball stud	5307-1596273	11656921		2
29	Bushing	2520-4709955	11640764		2
30	Ball joint	3040-4555011	11657354		1
31	Nut	5310-9752075	MS35691-21		1
	Fork, clutch release	2520-9333712		65909-K-707750	1
	Pedal, clutch	2540-7035789	11656837	65909-944694	1
	Shaft, clutch release	2520-9333529		65909-944553	1
	Spring, bearing sleeve to yoke	5340-9333778		65909-K-700002	2

**CARBURETOR
FUEL PUMP**

TRUCK, CARGO: 1¼ TON, 4x4, M715

KAISER Jeep CORPORATION

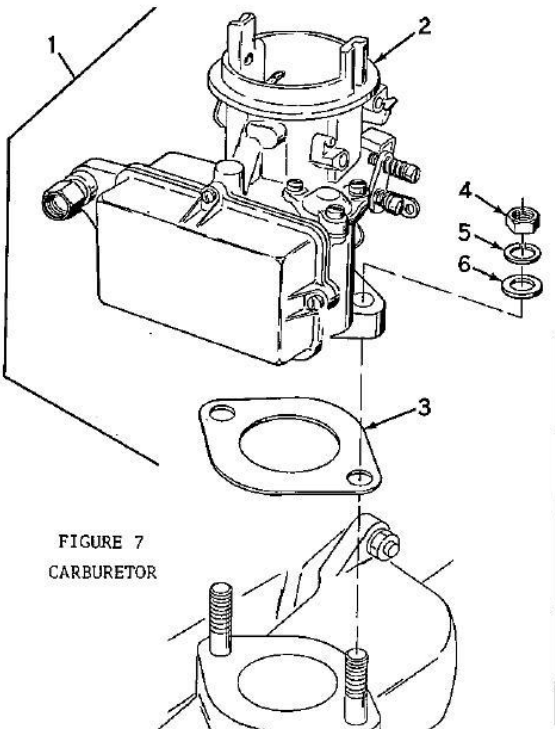


FIGURE 7
CARBURETOR

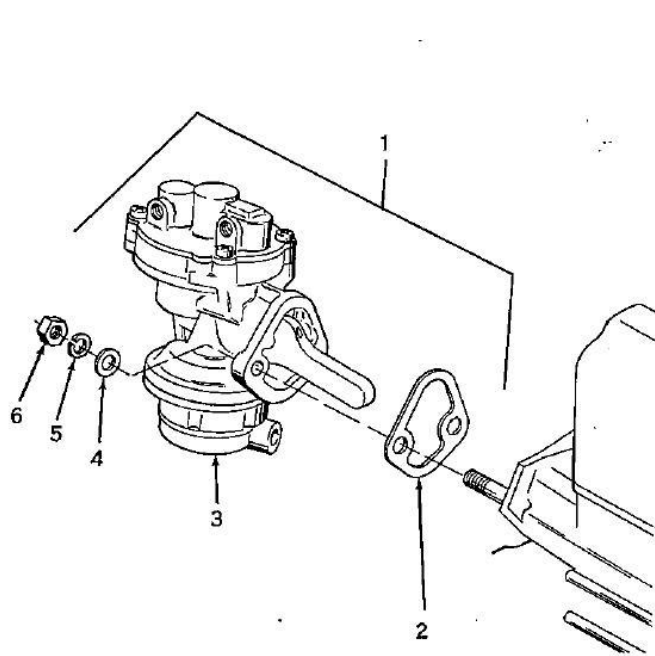


FIGURE 8 FUEL PUMP

FIGURE 7

Key No.	Description	Federal Stock No.	Ordnance Part No.	Manufacturer's Part No.	Qty. Per Assy.
1	Carburetor assy.	2910-9333736	11641002	65909-944025	1
2	Carburetor only	2910-1168355	5704109	65909-957077	1
3	Gasket, flange	5330-1593249	11640784	65909-947396	1
4	Nut, 3/8"-24	5310-7320559	MS51968-8	24617-120369	2
		5310-0120369			
5	Lockwasher, 3/8"	5310-1225658	MS35338-46	24617-120382	2
		5310-0120382			
6	Washer, plain, 3/8"	5310-0806004	MS27183-14	24617-120394	2
	Repair kit, major	2910-1168336	5704108	65909-945705	1
	Repair kit, pep	2910-9273280		65909-944428	1
	Gasket set, carburetor	2910-9273323		65909-945704	1

FIGURE 8

1	Fuel pump assy.	2910-9273286	5704405	65909-944561	1
2	Gasket, mounting		11657562	65909-933937	1
3	Fuel pump only		11641001	65909-944249	1
4	Washer, plain, 5/16"	5310-0120393	MS27183-12	24617-120393	2
5	Lockwasher, 5/16"	5310-4079566	MS35338-45	24617-120214	2
		5310-0120214			
6	Nut, 5/16"-24	5310-8807746	MS51968-5	24617-120368	2
		5310-0120368			
	Repair kit	2910-9333536		65909-932309	1
	NOT PICTURED:				
	Push Rod, Fuel Pump			65909-929017	1
	Spring, Return, Push Rod			65909-933455	1

TRUCK, CARGO: 1 1/4 TON, 4x4, M715

KAISER Jeep CORPORATION

**AIR CLEANER
FUEL TANK**

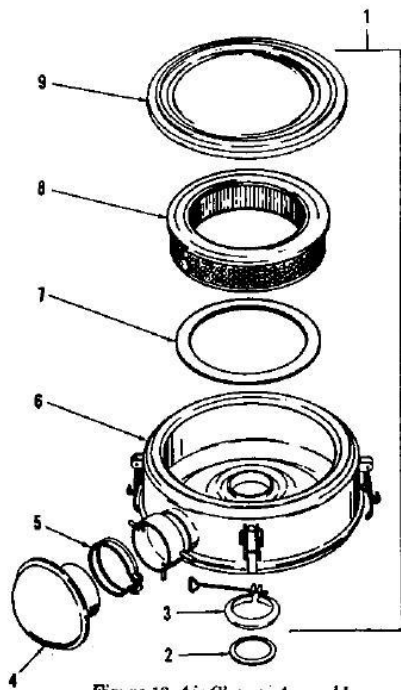


Figure 13. Air Cleaner Assembly

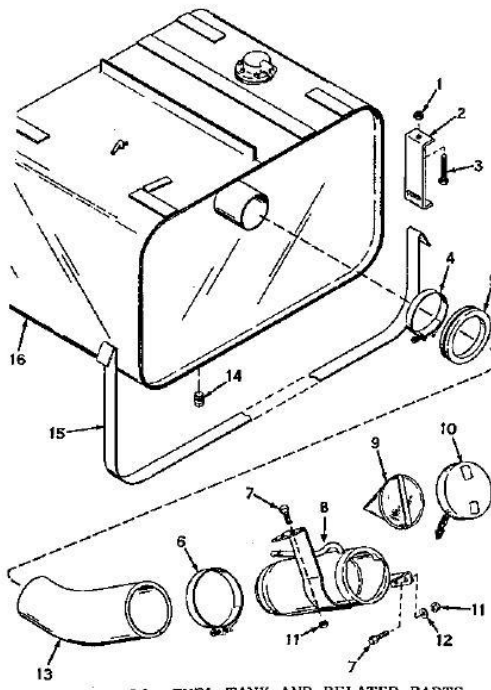


FIGURE 10 FUEL TANK AND RELATED PARTS

FIGURE 13

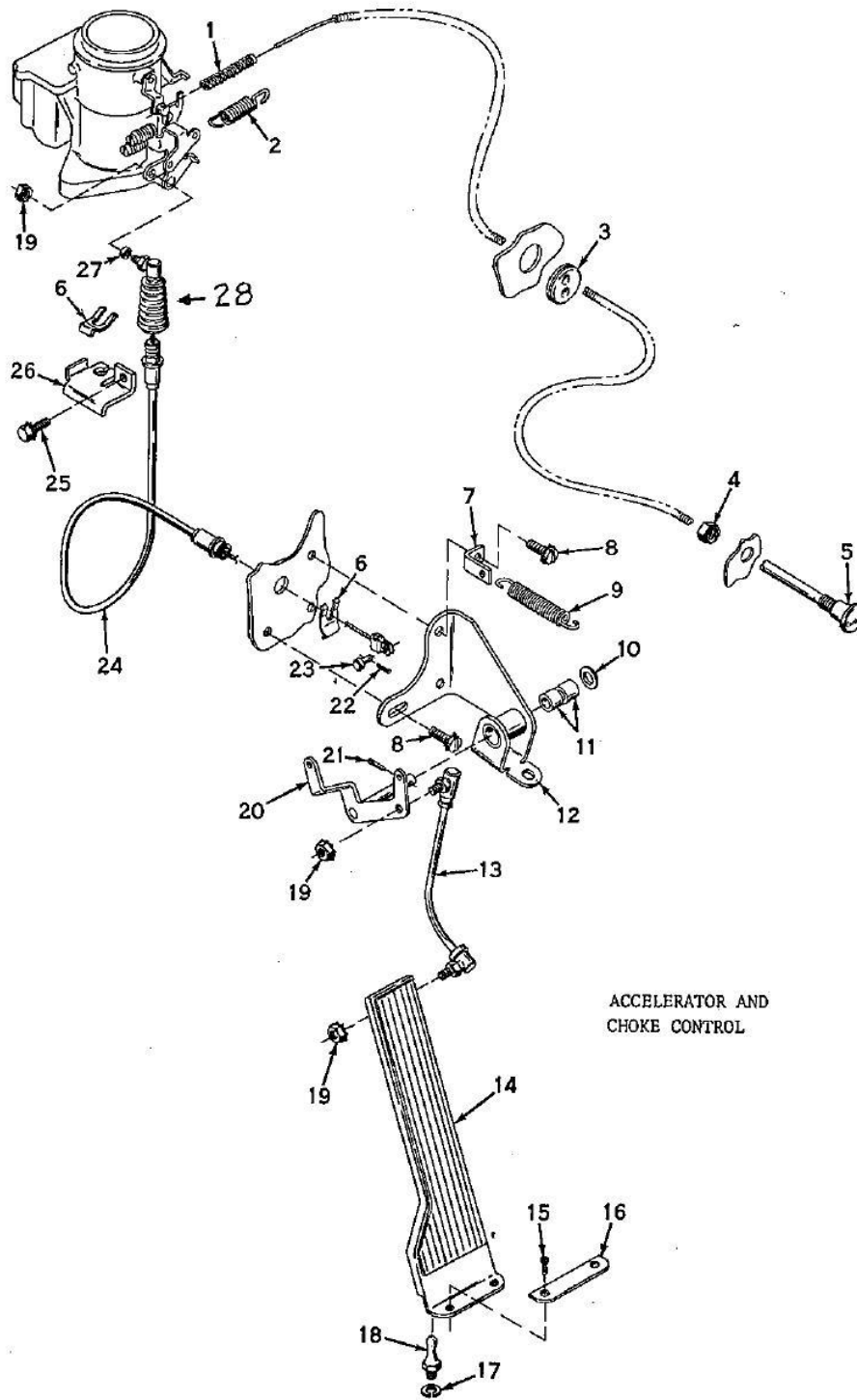
Key No.	Description	Federal Stock No.	Ordinance Part No.	Manufacturer's Part No.	Qty. Per Assy.
1	Air cleaner assy.	2940-1190850	11658089	65909-948094	1
2	Gasket	2940-9286134	11640776	65909-944150	1
3	Clamp	4730-4706624		65909-944559	1
4	Pre-cleaner	2940-1420553	11598930	65909-806451	1
5	Clamp, 3-1/8"	4730-2782043	10950978-9	65909-800978	1
6	Body			65909-990300	1
7	Gasket	2940-1247128	11640802	65909-948093	1
8	Element	2940-9333537		65909-944558	1
9	Cover	2940-1190849	1190849	65909-944560	1

FIGURE 10

1	Nut, jam, 5/16"-24	5310-0124920	MS35691-13	24617-124920	2
2	Bracket	2910-1190851	11657384	65909-942401	1
3	Bolt, 5/16"-24 x 2-1/4"		11657486	65909-948637	2
4	Clamp, 3.38"	4730-9086293	MS35842	24617-451236	1
5	Grommet (For M715)	2530-9003050	11657126-1	65909-944511	1
	(For M725)	2530-9003143	11657126-2	65909-946079	1
6	Clamp, 4.62"	4730-9086294	MS35842-16	24617-273898	1
7	Bolt, 3/8"-24 x 7/8"	5305-2692802	MS90726-59	24617-120758	4
8	Tube & bracket (For M715)	2910-1362171	11640969	65909-944218	1
	(For M725)	2910-1190852	11662526	65909-947082	1
9	Filter Screw	4730-2026063	8329781	65909-807205	1
10	Cap	2910-1419758	MS53075-1		1
			MS35645-1		
11	Nut, 3/8"-24	5310-6965177	8328482	24617-271193	4
12	Washer, plain, 3/8"	5310-0120388	MS27183-15	24617-120388	2
13	Hose (For M715)	2530-9003048	11657387	65909-944225	1
	(For M725)	2530-9003115	11657393	65909-946075	1
14	Plug, 1/4"	4730-0127951	127951	24617-127951	1
15	Strap	2910-1362172	11657388	65909-944228	2
16	Tank	2910-9170732	11657381	65909-943620	1
	PICTURED—NOT KEYED: Gauge, Sending Unit	6680-9176023	7034597	6509-944224	1

**ACCELERATOR
AND CHOKE CONTROL**

TRUCK, CARGO: 1¼ TON, 4x4, M715
KAISER Jeep CORPORATION

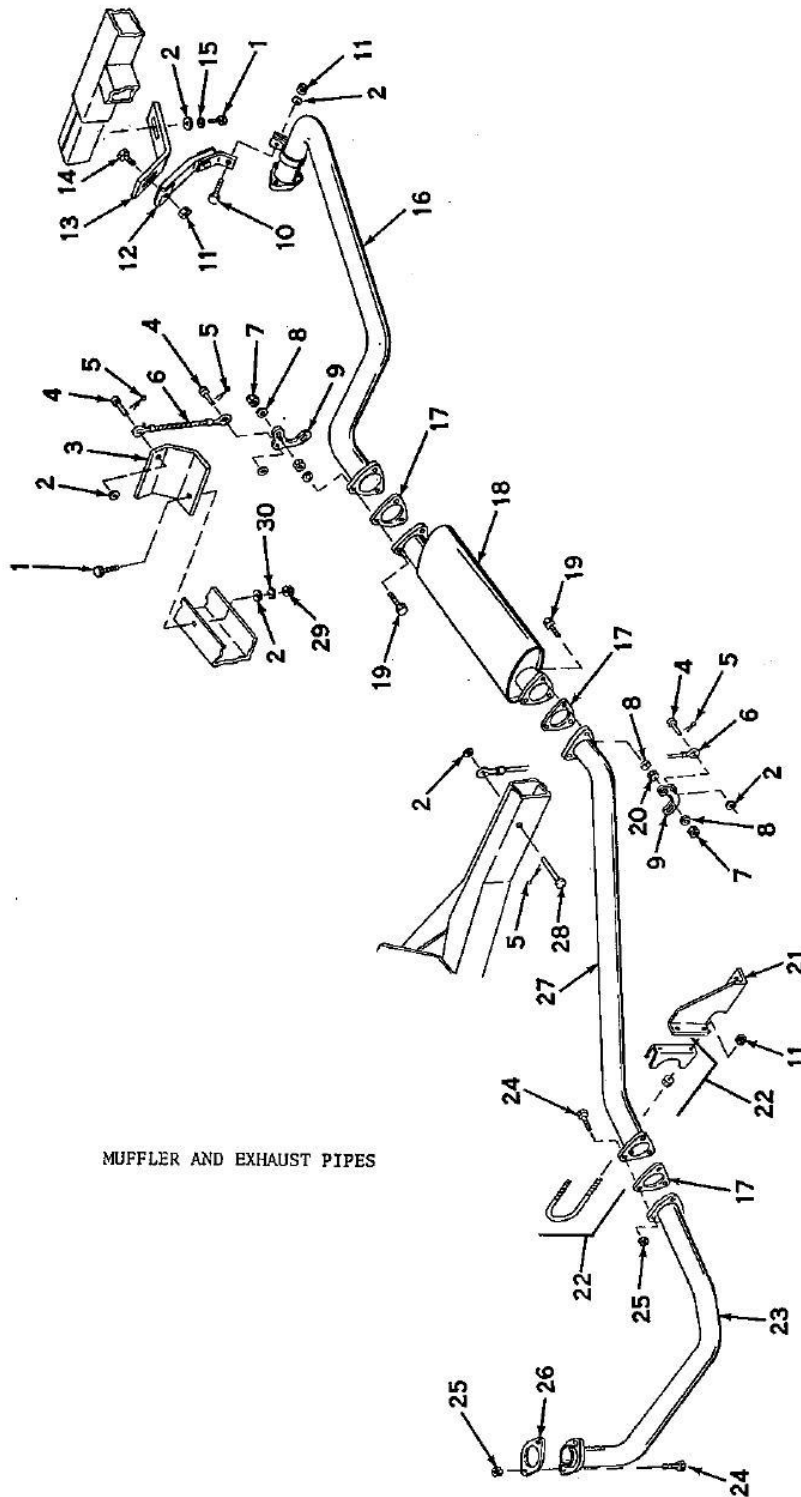


TRUCK, CARGO: 1¼ TON, 4x4, M715
 KAISER Jeep CORPORATION

**ACCELERATOR
 AND CHOKE CONTROL**

<u>Key No.</u>	<u>Description</u>	<u>Federal Stock No.</u>	<u>Ordnance Part No.</u>	<u>Manufacturer's Part No.</u>	<u>Qty. Per Assy.</u>
1	Spring		11657696	65909-947400	1
2	Spring	2590-2262150	11657084	65909-936132	1
3	Grommet	5340-7697867	7697867	65909-939846	1
4	Nut, 3/8"-24	5310-6965177	8328482	65909-804975	1
5	Control, choke	2910-9170867	8686901-1	65909-946009	1
6	Clip	5340-4627045	11640740	65909-932000	2
7	Clip	2590-4438077	11657087	65909-933459	1
8	Screw, 1/4"-20 x 5/8"			24617-272475	1
9	Spring	2910-9170610	11657086	65909-932806	1
10	Washer	5310-0806004	MS27183-14	24617-120394	1
11	Bushing	3120-7653302	11640912	65909-931883	2
12	Bracket & tube assy.	2910-1190855	11657078	65909-933155	1
13	Rod	2910-1190856	11662527	65909-933117	1
14	Pedal	2910-1190857	11640888	65909-940043	1
15	Screw, #10-32 x 1/2"	5305-9847363	MS35191-272	24617-157105	2
16	Plate	2910-4766566	11657088	65909-940289	1
17	Lockwasher, 3/8"	5310-7225658	MS35338-46	24617-120382	2
18	Ball stud	5307-1451760	11657082	65909-940040	2
19	Nut, #10-32	5310-1249265	7966348	24617-271169	3
20	Bellcrank	2910-1190854	11657080	65909-934233	1
21	Pin, cotter, 3/32"	5315-8423044	MS24665-283	24617-137159	1
22	Pin, cotter, 1/16" x 5/8"	5315-8395820	MS9245-27	24617-137141	1
23	Pin, clevis	5315-4647129	11640915	65909-940175	1
24	Cable, accelerator	2510-8326463	11641015	65909-933119	1
25	Screw, 5/16"-18 x 7/8"	5306-2861504	9409098	24617-9409098	1
26	Bracket	2910-1190858	11657083	65909-932675	1
27	Spacer	5340-1281572	11657085	65909-932813	1
28	Boot	2530-4438017	7044900		1

TRUCK, CARGO: 1¼ TON, 4x4, M715
KAISER Jeep CORPORATION



TRUCK, CARGO: 1¼ TON, 4x4, M715

EXHAUST SYSTEM

KAISER Jeep CORPORATION

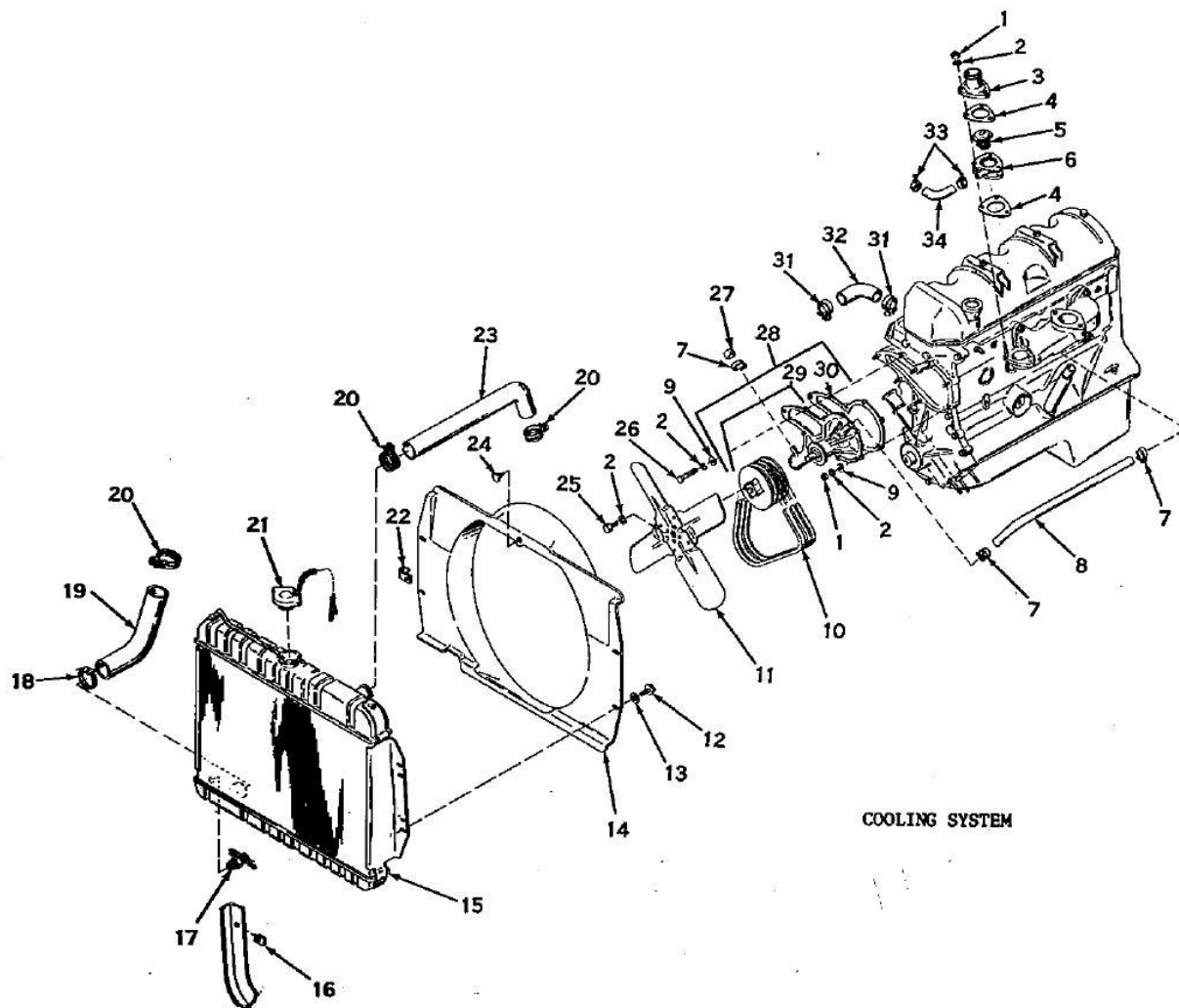
Key No.	Description	Federal Stock No.	Ordnance Part No.	Manufacturer's Part No.	Qty. Per Assy.
1	Bolt, 5/16"-24 x 1"			24617-121661	2
2	Washer, plain, 5/16"	5310-0814219 5310-0120393	MS27183-12	24617-120393	7
3	Bracket	2990-4883491	1165843	65909-946291	1
4	Pin, clevis	5315-1777742	9416017	24617-9416017	3
5	Pin, cotter	5315-8423044	MS24665-283	24617-137159	4
6	Cable, assy.	2990-2463930	11640836	65909-946292	2
7	Nut, jam, 7/16" -20	5310-8352036	MS35691-29	24617-272123	4
8	Washer, plain, 7/16"	5310-8094085	MS27183-16	24617-120395	10
9	Bracket		11656853		4
10	Screw, 5/16"-24 x 1-1/2"	5306-2259093	MS90726-38	24617-123785	1
11	Nut, 5/16"-24	5310-0442826 5310-9824912	MS51943-34	24617-442826	3
12	Insulator		11656990	65909-934191	1
13	Strap	2990-4007027	11656988	65909-947255	1
14	Bolt, 5/16"-24 x 1-1/4"	5306-2259091	MS90726-36	24617-123774	1
15	Lockwasher, 5/16"	5310-4079566 5310-0120214	MS35338-45		1
16	Tail pipe	2990-8696073 2990-9170731	11656994	65909-946363	1
17	Gasket	2990-9170836	11656964	65909-944127	3
18	Muffler	2990-9170733	11640722	65909-947377	1
19	Bolt, 7/16"-20 x 1-3/4"	5305-7104195	MS90726-90	24617-120919	6
20	Nut, 7/16"-20	5310-9941006	MS51943-38	24617-274655	6
21	Bracket		11656879	65909-946360	1
22	Clamp	5340-784109	8704441	65909-946573	1
23	Exhaust pipe		11656993-1	65909-946366	1
24	Bolt, 7/16"-20 x 1-1/2"	5305-7104194	MS90726-89	24617-123852	2
25	Nut, 7/16"-20	5310-1265367	MS21045-C7	24617-272712	2
26	Gasket	2805-3488968 2805-4004835	11640841	65909-745608	1
27	Pipe, exhaust extension		11657693	65909-946368	1
28	Pin, clevis	5315-7540848	9411483	24617-9411483	1
29	Same as #11				
30	Lockwasher, 5/16"	5310-8892527	MS45904-72	24617-178532	1
	Kit, front exhaust pipe	2990-9170739 2990-4434809	5704408	65909-946568	

Consists of: 1 ea. #17, #23 & #27

3 ea. #24 & #25

COOLING SYSTEM

TRUCK, CARGO: 1 1/4 TON, 4x4, M715
KAISER Jeep CORPORATION



COOLING SYSTEM

TRUCK, CARGO: 1 1/4 TON, 4x4, M715

COOLING SYSTEM

KAISER Jeep CORPORATION

Key No.	Description	Federal Stock No.	Ordnance Part No.	Manufacturer's Part No.	Qty. Per Assy.
1	Nut, 5/16"-24	5310-8807746 5310-0120368	MS51968-5	24617-120368	7
2	Lockwasher, 5/16"	5310-4079566 5310-0120214	MS35338-45	24617-120214	7
3	Housing	2930-0402613	8332060	65909-800293	1
4	Gasket	2930-6999021	8328456	65909-648852	2
5	Thermostat (190 ⁰)	6620-9333598	11662554	65909-944667	1
6	Spacer	2930-1987141	11656962	65909-929019	1
7	Clamp	4730-9083194	MS35842-11	24617-443632	3
8	Hose	2930-4561314	11657629	65909-944552	1
9	Washer, plain, 5/16"	5310-0814219 5310-0120393	MS27183-12	24617-120393	7
10	Belt set (3 belts)	3030-9333601 3030-1305209	MS51065-42-3		1
11	Fan blade	2930-1682340	11657642	65909-948699	1
12	Bolt	5306-2751629	7369880-1	65909-800319	4
13	Washer, 5/16"	5310-0120388	MS27183-15	24617-120388	4
14	Shroud	2930-1190662	11657748	65909-944058	1
15	Radiator	2930-9333548	11657726	65909-944059	1
16	Nut, speed, 5/16"-10	5310-7372590	7372590	65909-800319	4
17	Drain cock	4820-1422507 4820-8491220	MS35782-5	65909-A1126	1
18	Clamp	4730-5508263	7965959	65909-947398	1
19	Hose, outlet	2930-9333719	11657531	65909-944061	1
20	Clamp	4730-9083193	MS35842-12	65909-807710	3
21	Cap	2930-0839560	11640710	65909-947131	1
22	Clamp	5340-0668094	MS21322-6		2
23	Hose, inlet	2930-9333720 4720-4771800	11657289	65909-944060	1
24	Bumper	5340-7928125	11640874	65909-968072	1
25	Bolt, 5/16"-18 x 1"	5306-2258499 5306-0180079	MS90725-34	24617-180079	4
26	Bolt, 5/16"-18 x 3-1/2"	5306-2258510 5306-2970608	MS90725-46	24617-187147	1
27	Cap	2930-4538808	11657669	65909-930864	1
28	Water pump assy.	2930-9333721	5704426	65909-944237	1
29	Pump only		11657631	65909-944130	1
30	Gasket	5330-4630470	11657675	65909-944533	1
31	Clamp	5340-9083193	MS35842-12	24617-443634	2
32	Hose	4720-4425759	11657630	65909-930068	1
33	Clamp	5340-4630482	432714	24617-9411984	2
34	Hose	4720-4561315	11656959	65909-930261	1

**ALTERNATOR
STARTER**

TRUCK, CARGO: 1¼ TON, 4x4, M715
KAISER Jeep CORPORATION

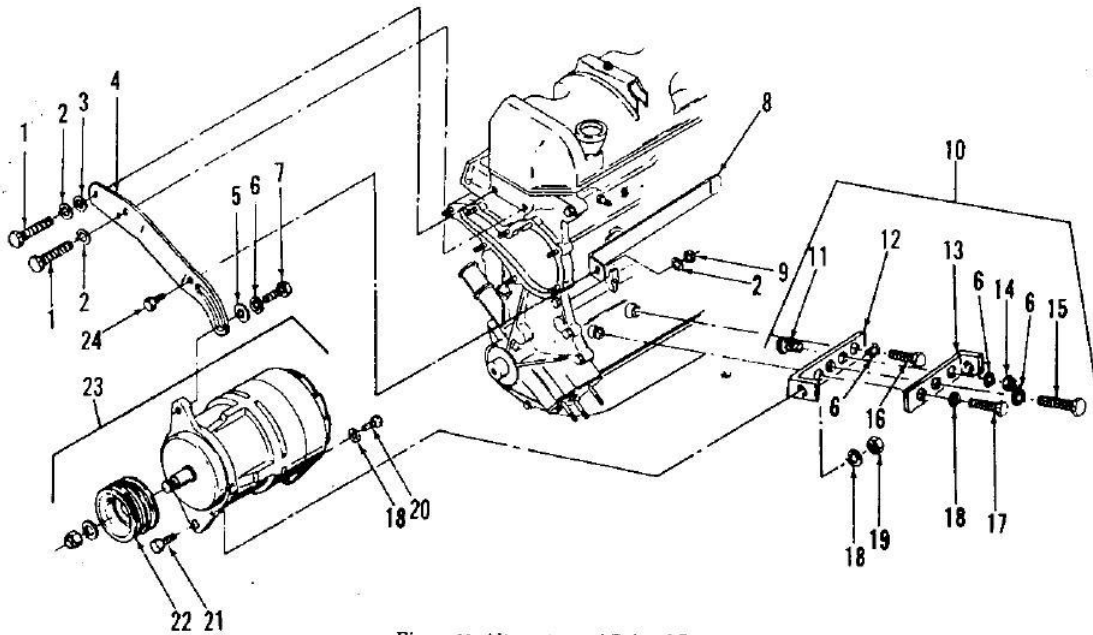


Figure 22. Alternator and Related Parts

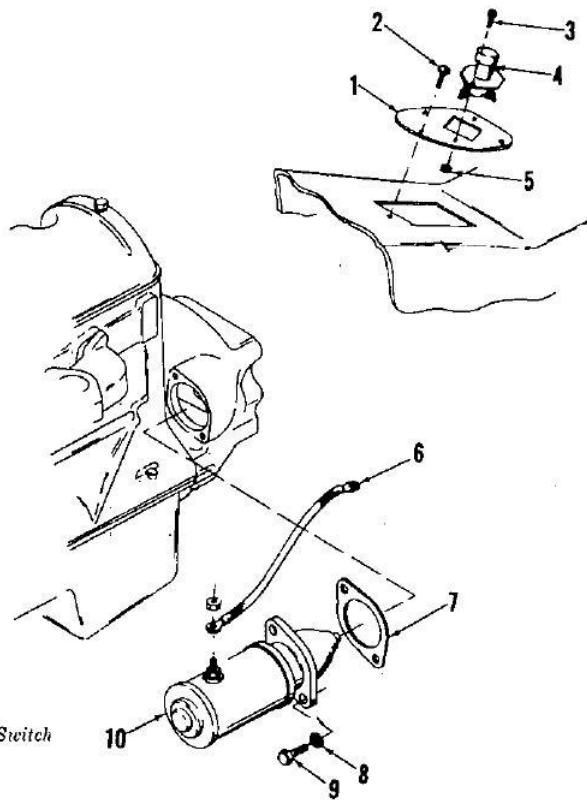


Figure 23. Starting Motor and Switch

TRUCK, CARGO: 1¼ TON, 4x4, M715

KAISER Jeep CORPORATION

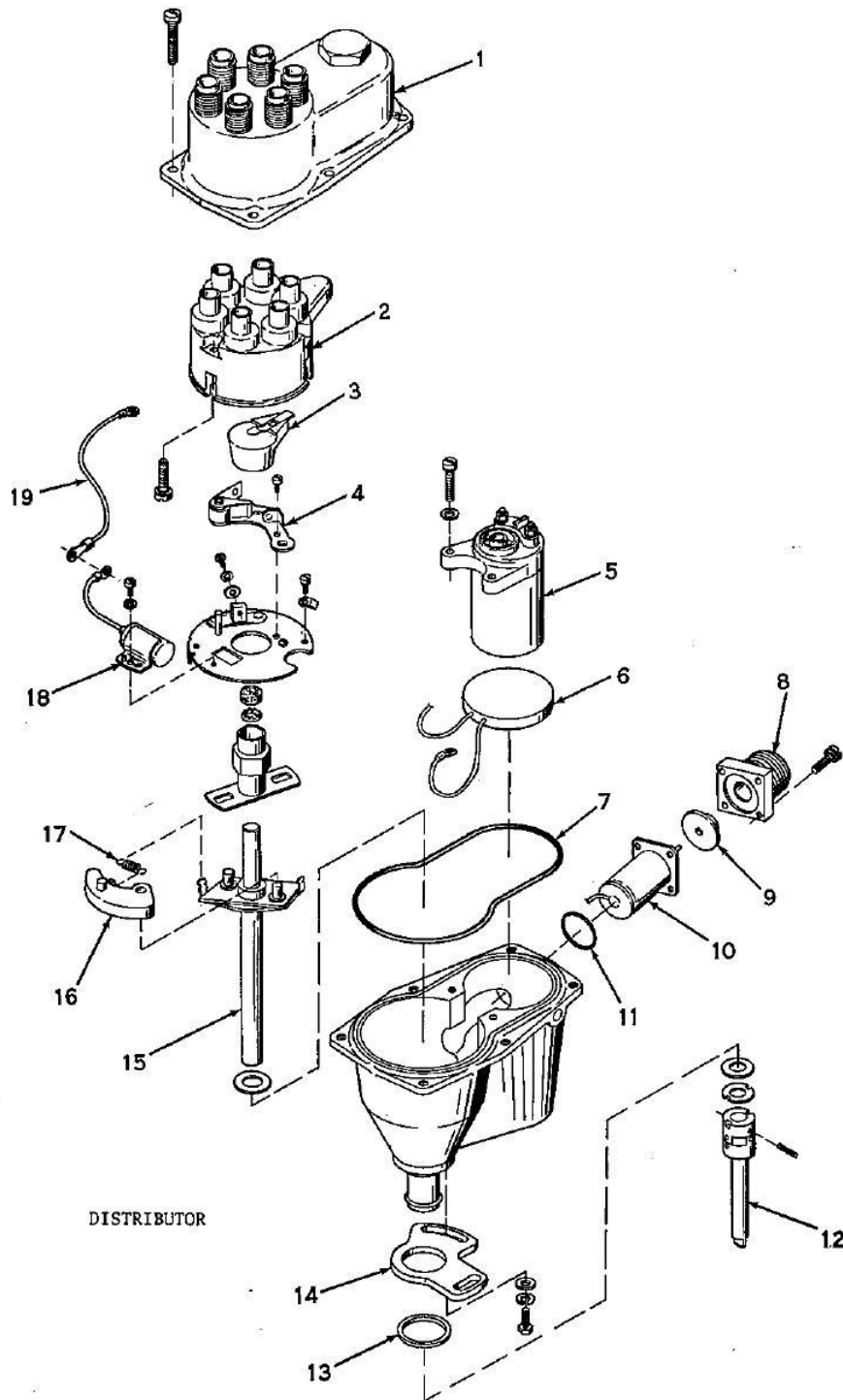
**ALTERNATOR
STARTER**

FIGURE 22		Federal	Ordnance	Manufacturer's	Qty.
Key No.	Description	Stock No.	Part No.	Part No.	Per Assy.
1	Screw	5306-2264837	MS90728-44	24617-120213	2
2	Lockwasher, 5/16"	5310-4079566	MS35338-45	24617-120214	3
3	Washer, plain, 5/16"	5310-0814219	MS27183-12		1
4	Bracket	2920-2470003	11657287	65909-944149	1
5	Washer	5310-6984460	7966692	65909-664288	1
6	Lockwasher, 3/8"	5310-6379541	MS35338-46	24617-120382	4
7	Screw, 3/8"-16 x 7/8"	5305-0180121	MS90728-59	24617-180121	1
8	Brace		11657284	65909-944148	1
9	Nut, 5/16"-24	5310-8807746	MS51968-5	24617-120368	1
10	Bracket	2590-4745587	11657293		1
11	Bolt, 3/8"-24 x 1-1/8"	5305-2692804	MS90726-61	24617-123534	1
12	Bracket, front		11657261	65909-946555	1
13	Bracket, rear		11657198	65909-946554	1
14	Nut, 3/8"-24	5310-7320559	MS51968-8	24617-120369	1
15	Bolt, 3/8"-24 x 3/4"	5305-2692801	MS90726-58	24617-123520	1
16	Bolt, 7/16"-14 x 1"	5305-8258055	MS35303-85	24617-454944	1
17	Bolt, 7/16"-14 x 1-1/4"	5305-7098523	MS90727-87	24617-186688	1
18	Lockwasher, 7/16"	5310-2090965	MS35338-47	24617-120383	4
19	Nut, 7/16"-20	5310-2973250	MS51968-11	24617-271506	1
20	Screw, 7/16"-20 x 1"	5305-7104190	MS90726-85	24617-123567	1
21	Screw, 7/16"-20 x 1-1/2"	5305-7104194	MS90726-89	24617-123852	1
22	Pulley	2920-9170729	11657271	65909-943604	1
23	Alternator, 60 amp	2920-9092483	10929868		1
24	Screw	5306-2259088	MS90726-33		1
	Bearing, drive end #304			65909-945867	1
	Bearing, slip ring end #204			65909-945868	1
	Brush			65909-945866	2
	Gasket & seal set			65909-945870	1

FIGURE 23		Federal	Ordnance	Manufacturer's	Qty.
Key No.	Description	Stock No.	Part No.	Part No.	Per Assy.
1	Plate		11657749	65909-975663	1
2	Screw	5305-5432335		24617-188749	4
3	Bolt, 1/4"-20 x 5/8"	5305-0120854	MS90725-5	24617-120854	2
		5305-0680501			
4	Switch	2920-1682339	11657929	65909-990008	1
5	Nut, 1/4"-20	5310-6965173	8328462	24617-271172	2
6	Cable	2920-4576673	11657802-4	65909-944052	1
7	Gasket	2920-9273329	11657533	65909-944020	1
8	Lockwasher, 1/2"	5310-0120384		24617-120384	2
		5310-5845272			
9	Bolt, 1/2"-13 x 1-1/8"	5305-0122415	MS90725-110	24617-122415	2
		5305-0711767			
10	Starter assy.	2920-9333727	11640749	65909-943607	1
	Armature	2920-9333576		65909-943608	1
	Brush set	2920-9273271		65909-943697	1
	Bushing, pinion hsg.	2920-6223786		65909-931672	1
	Drive (Bendix)	2920-9333590		65909-943609	1

DISTRIBUTOR

TRUCK, CARGO: 1 1/4 TON, 4x4, M715
KAISER Jeep CORPORATION



DISTRIBUTOR

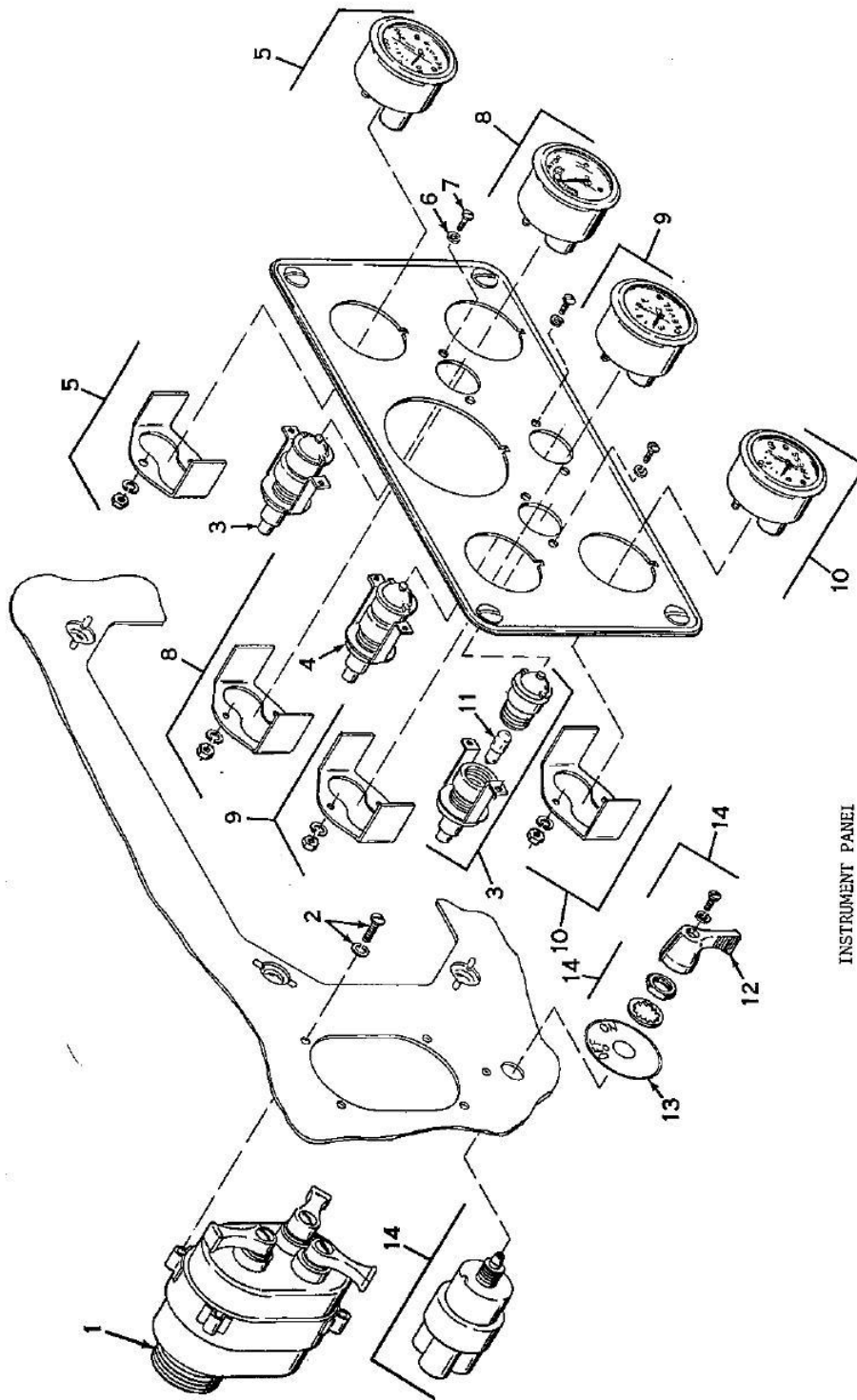
TRUCK, CARGO: 1¼ TON, 4x4, M715**DISTRIBUTOR**

KAISER Jeep CORPORATION

<u>Key No.</u>	<u>Description</u>	<u>Federal Stock No.</u>	<u>Ordnance Part No.</u>	<u>Manufacturer's Part No.</u>	<u>Qty. Per Assy.</u>
	Distributor assy.	2920-9273279	11640806	65909-943600	1
1	Cover	2920-9333577	7374883	65909-943602	1
2	Cap	2920-7374880	7374880	65909-943601	1
3	Rotor	2920-6407230	IAU-1066	65909-18879	1
4	Point set	2920-3587498	IGS-2224LB	65909-923146	1
5	Coil	2920-9333728	8712400	65909-943742	1
6	Ballast	2920-9286138	8712401	65909-945878	1
7	Gasket	5330-0546880	11640748	65909-943606	1
8	Receptacle		IBF-9	65909-945885	1
9	Seal		XA744AA	65909-119054	1
10	Capacitor	5910-3586918 5910-6443487	8328075	65909-945887	1
11	"O" Ring			65909-945881	1
12	Extension	2920-9286137		65909-931678	1
13	Gasket			65909-945919	1
14	Arm, advance			65909-944133	1
15	Shaft			65909-945882	1
16	Weight set			65909-945886	1
17	Spring set			65909-945884	1
18	Condensor	5910-6675076	IAT3076DS	65909-925657	1
19	Lead, primary	2420-2797377	118730	65909-118730	1
	NOT PICTURED				
	Spark plug	2920-1347643 2920-8656665	MS35909-5	65909-943624	6
	Plug wire #1 (18.5")	2920-2470014 2920-9273295	11641027-1	65909-946492	1
	Plug wire #2 (20")	2920-9298322	11641027-2	65909-943616	1
	Plug wire #3 (22")	2920-2470012 2920-9273297	11641027-3	65909-946493	1
	Plug wire #4 (24")	2920-9273296	11641027-4	65909-946494	1
	Plug wire #5 (29")	2920-9298321	11641027-5	65909-943615	1
	Plug wire #6 (31.5")	2920-2470013 2920-9273321	11641027-6	65909-946495	1

**INSTRUMENT PANEL
GAUGES AND SWITCHES**

TRUCK, CARGO: 1¼ TON, 4x4, M715
KAISER Jeep CORPORATION



INSTRUMENT PANEL

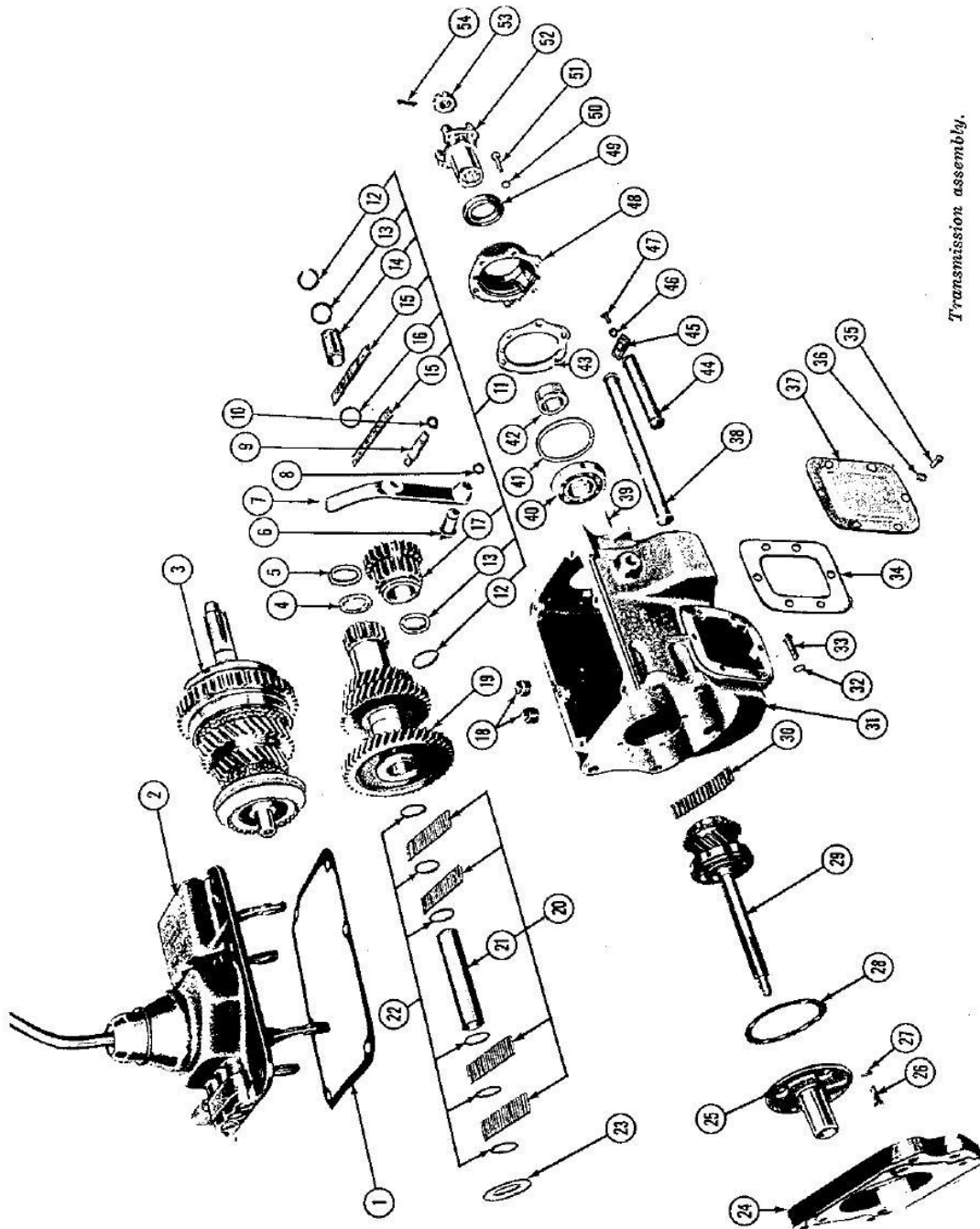
TRUCK, CARGO: 1¼ TON, 4x4, M715
KAISER Jeep CORPORATION

**INSTRUMENT PANEL
GAUGES AND SWITCHES**

Key No.	Description	Federal Stock No.	Ordinance Part No.	Manufacturer's Part No.	Qty. Per Assy.
1	Switch, light	5930-3078856	MS51113-1	65909-929648	1
2	Screw, #10-32 x 1/2"	5305-2885295	8376500	24617-454787	4
3	Lamp, panel	6210-6999458	8376499	65909-929812	2
4	Lamp, Hi beam	6220-6999457	MS24543-2	65909-929813	1
5	Gauge, temperature	6685-9362139	MS35338-38	65909-A10294	1
6	Lockwasher, #8	5310-0138530	MS35223-41	65909-A5314	6
7	Screw, #8-32 x 5/16"	5310-5501130	MS24532-2		6
8	Ammeter	6625-3216365	MS24544-2		1
9	Gauge, fuel	6620-9333600	MS24541-2		1
10	Gauge, oil pressure	6620-9388212			1
11	Bulb	6240-2669940		24617-454732	3
12	Lever (part of #14)			65909-800452	1
13	Plate (part of #14)	2590-7412641		65909-804639	1
14	Switch, ignition	5930-6999438		65909-929649	1
	Speedometer	6680-9333599		65909-80893	1
MISC. ITEMS- NOT PICTURED					
	Sealed beam, headlamp	6240-6864168	874162		2
			799818		
	Flasher, turn signal	5945-9523818	7050005		1
	Switch, turn signal	5930-9286163	MS53051		1
	Switch, dimmer	2590-8012355	MS53000-1	65909-929606	1
	Switch, stoplight	5930-7550761	MS75063-1	65909-929604	1
		5930-6016603			
	Sender, temperature	6685-8145271	MS24537-1	65909-929610	1
	Sender, fuel tank unit	6680-9176023	7034597	65909-944224	1
	Sender, oil pressure	6620-8144770	MS24538	65909-929612	1
	Horn	2590-6786140	MS51074	65909-929652	1
	Battery, 12V-45 amp.	6140-0572553	MS35000-1		2
	Cable Assy., Speedometer	6680-9333606		65909-946995	1

**TRANSMISSION
ASSEMBLY**

TRUCK, CARGO: 1¼ TON, 4x4, M715
KAISER Jeep CORPORATION



Transmission assembly.

TRUCK, CARGO: 1 1/4 TON, 4x4, M715

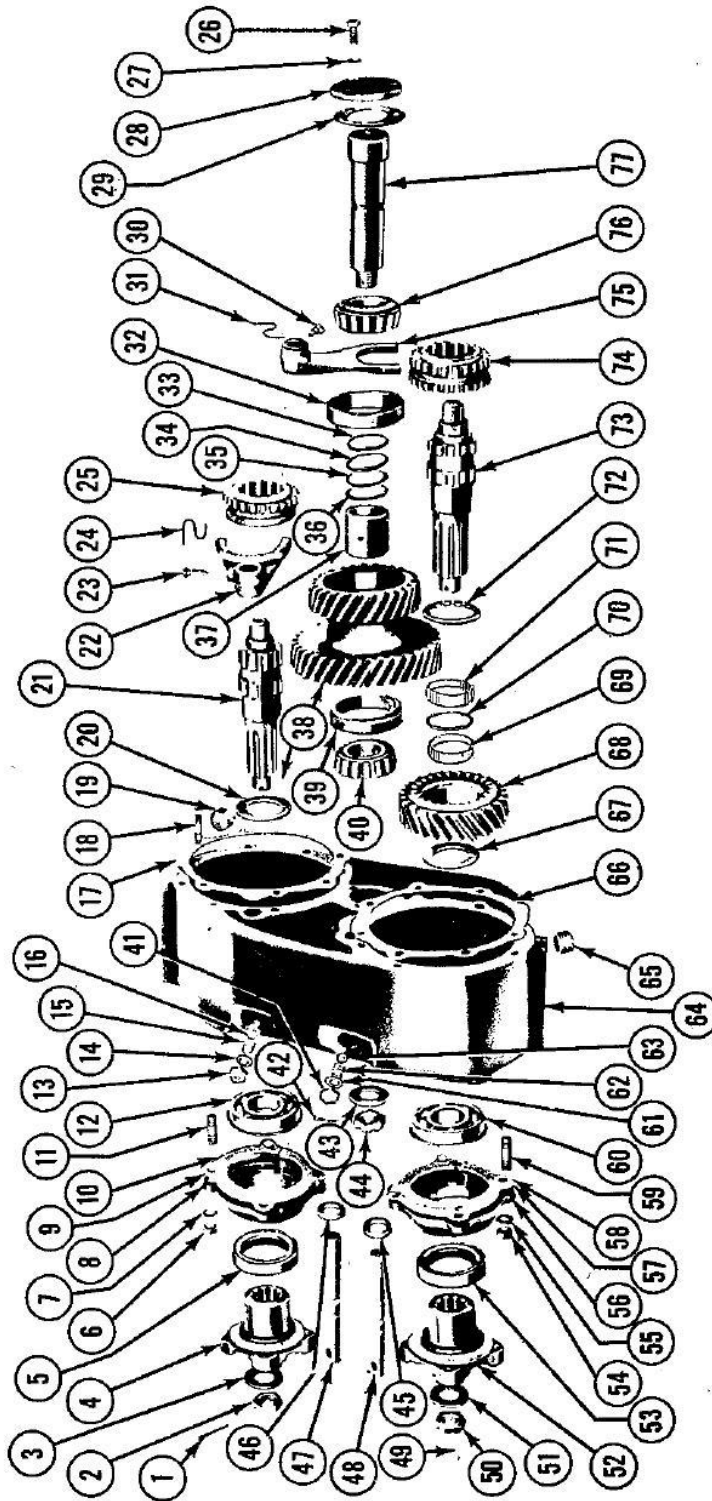
KAISER Jeep CORPORATION

TRANSMISSION ASSEMBLY

Key No.	Description	Federal Stock No.	Ordnance Part No.	Manufacturer's Part No.	Qty. Per Assy.
1	Kit, seal & gasket	2520-9279299		65909-943980	1
2	Shift coverassy.	2520-5686684		65909-912323	1
	Ball, Rev. poppet, 1/4"	2520-9170870		24617-117668	1
	Ball, shift poppet, 3/8"		116857839	24617-459589	3
	Boot, shift lever			65909-944647	1
	Fork, 3rd & 4th			65909-912364	1
	Fork, 1st & 2nd			65909-912365	1
	Knob, shift lever	5355-9623018		65909-914183	1
	Lever, shift	2520-9333532		65909-944634	1
	Pin, shift interlock			65909-912388	2
	Plunger, reverse			65909-912389	2
	Rail, 3rd & 4th			65909-946309	1
	Rail, 1st & 2nd			65909-912382	1
	Rail, reverse			65909-912383	1
	Spring, shift lever	3820-2485540	7374869	65909-601732	1
	Spring, reverse poppet			65909-912395	1
	Spring, shift poppet			65909-944322	3
3	Gear Clusterassy. (breakdown below)			65909-912393	1
	Bearing, main drive	3110-6281873		65909-912392	1
	Washer, main shaft			65909-912399	1
	Gear, 2nd speed	2520-9273343		65909-912329	1
	Gear, 3rd speed	2520-3750145		65909-912325	1
	Ring, 3rd & 4th blocking	2520-7729079		65909-912394	1
	Ring, 2nd blocking	2520-9273342		65909-912340	34
	Roller, 2nd gear	3110-1962570		65909-912350	1
	Seal, dust (left)			65909-932285	1
	Main shaft	2520-986586		65909-946089	1
	Snap ring, 3rd & 4th			65909-912393	1
	Snap ring, main drive brg. (.005")			65909-912342	1
	Snap ring, main drive brg. (.118")			65909-912363	1
	Spacer, main shaft			65909-912333	3
	Spacer, 2nd gear roller			65909-912331	1
	Synchronizer, 3rd & 4th	2520-9896323		65909-912319	1
	Synchronizer, 2nd	2520-3749464		65909-912384	1
	Washer, front baffle	2520-7697570		65909-640993	1
	Washer, thrust, 2nd gear	2520-6612666		65909-912382	1
4	Washer (bronze)			65909-933957	1
5	Washer (steel)			65909-912350	1
6	Shoe, reverse shift			65909-912386	1
7	Arm, reverse shift			65909-912397	1
8	Washer, "C" reverse shoe			65909-912387	1
9	Pivot, reverse shift arm			65909-912396	1
10	Oil seal			65909-943980	1
11	Reverse idlerassy.			65909-946095	2
	(includes #12 thru #17)			65909-912357	2
12	Snap ring	2520-9866677		65909-912357	1
13	Washer			65909-912354	74
14	Sleeve	3110-1170633		65909-912355	1
15	Roller			65909-912352	1
16	Spacer	2520-3749480		65909-912352	1
17	Gear, reverse idler	4790-2090649	MS49005-16	24617-0409947	1
18	Plug	2520-9233557		65909-912844	1
19	Gear, countershaft	3110-1170637		65909-912345	88
20	Roller			65909-912847	1
21	Spacer			65909-912346	6
22	Washer			65909-912348	1
23	Washer (bronze)			65909-940062	1
24	Cover (not serviced)			65909-984498	4
25	Retainer			65909-912371	1
26	Screw, socket head, 5/16"-18x1"			65909-946080	1
27	Lockwasher (not serviced)			65909-912343	16
28	Gasket	2520-9273344		65909-912400	1
29	Gear, main drive	3110-1980637			
30	Roller				
31	Case				
32	Lockwasher (not serviced)				
33	Bolt (not serviced)				
34	Gasket				
35	Bolt, 3/8"-16 x 7/8"	5305-2683208	11656878	65909-912401	1
36	Lockwasher, 3/8"	5305-4276128	M380725-57	24617-114605	6
37	Cover	2520-3607270	M55335-95	65909-946067	6
38	Countershaft		5250614	24617-179835	1
39	Pin, taper, #0			65909-940494	1
40	Bearing	3110-1566173		24617-103665	1
41	Snap ring			65909-912341	1
42	Spacer			65909-912342	1
43	Gasket			65909-944518	1
44	Shaft, reverse idler	2520-8865658		65909-933450	1
45	Pin			65909-912359	1
46	Lockwasher (not serviced)			65909-887448	1
47	Bolt (not serviced)				
48	Adaptor				
49	Seal	5330-2921501		65909-944519	1
50	Lockwasher, 3/8"			65909-943945	1
51	Bolt, 3/8"-16 x 1			24617-114606	5
52	Flange			24617-179839	4
53	Nut, main shaft			65909-944520	1
54	Pin, cotter (not serviced)			65909-940970	1

**TRANSFER CASE
ASSEMBLY**

TRUCK, CARGO: 1 1/4 TON, 4x4, M715
KAISER Jeep CORPORATION

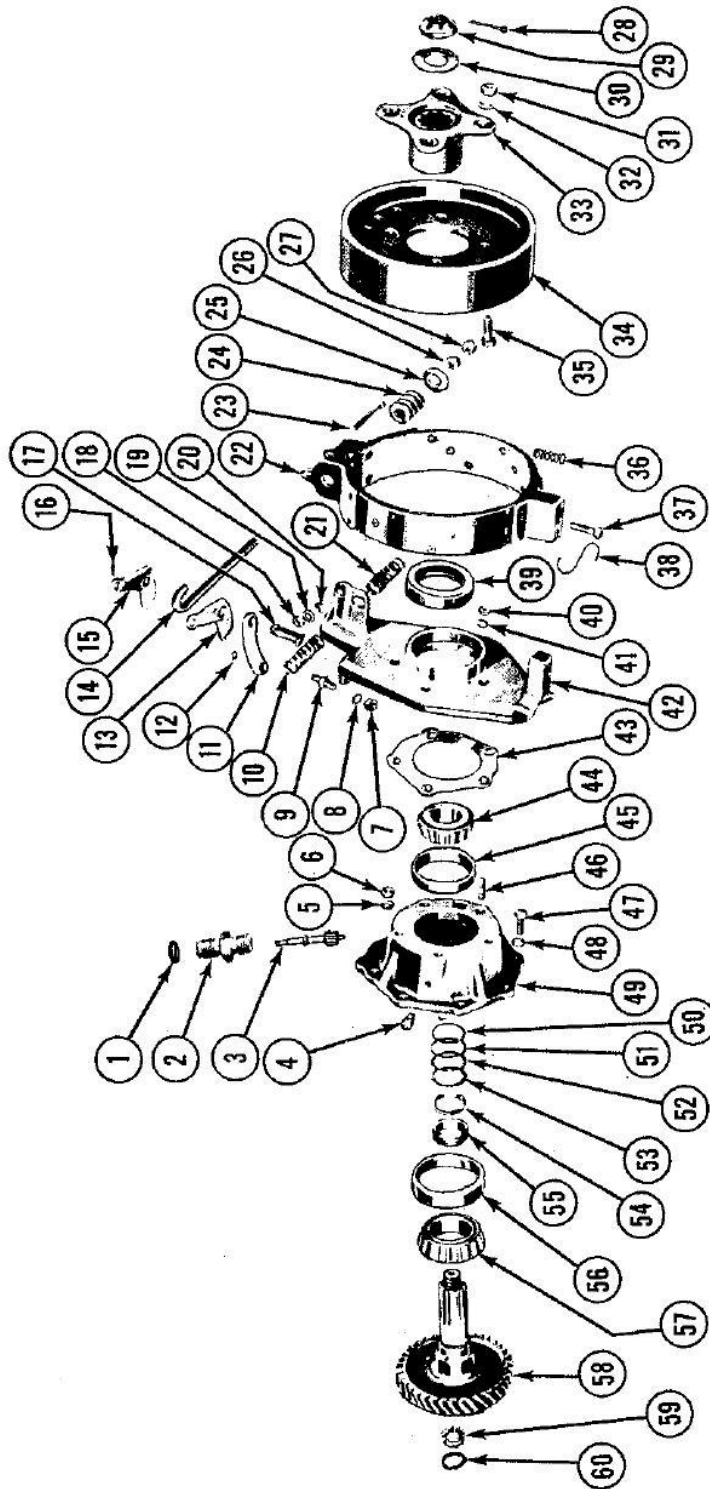


Transfer case assembly.

TRUCK, CARGO: 1¼ TON, 4x4, M715
KAISER Jeep CORPORATION

**TRANSFER CASE
ASSEMBLY**

Key No.	Description	Federal Stock No.	Ordnance Part No.	Manufacturer's Part No.	Qty. Per Assy.
	Transfer case w/brake assy.	2520-9170837		65909-943851	1
	Insulator	5310-4363412	11656940		8
33	Gasket & shim set	2520-9333724		65909-943711	1
1-42-49	Pin, cotter, 1/8"x 1-1/4"		119209	24617-103386	5
2-44-50	Nut		7743652	65909-945817	5
3-43-51	Washer		7412534	65909-945816	5
4-52	Flange	2520-9333723		65909-943743	3
5-53	Oil seal		7705744	65909-948789	4
6-54	Nut, 7/16"-20		120370	24617-271505	8
7-55	Lockwasher, 7/16"		120388	24617-103322	8
8-56	Retainer			65909-945820	2
9-57	Gasket (in gasket set)			76760-38566A	2
10-58	Gasket (in gasket set)			76760-38566B	2
11-59	Stud			24617-103217	8
12-60	Bearing		700792	65909-917068	2
13-41	Screw	2520-9865302	7351129	65909-945826	2
14-61	Gasket (in gasket set)	2520-9286128	7373727	76760-38707	2
15-62	Spring	2520-7351126	7351126	65909-945827	2
16-63	Ball, 5/16"	3110-1519123	104919	24617-147487	2
17-66	Gasket (in gasket set)		7411824	76760-38587	4
18	Stud, 3/8"-16 x 1-7/16"		113247	24617-103195	9
19	Plug, filler	4730-2212139	MS20913-45	24617-438159	1
20-67	Washer	2520-7411881	7411881	65909-945829	2
21	Shaft		7351134	65909-945807	1
22-75	Fork	2520-7091754	7091754	65909-945823	2
23-30	Screw	2520-7411570	7411570	65909-945824	2
24-31	Clip	2520-7375412	7375412		2
25	Gear	2520-7411880	7411880	65909-945805	1
26-27	Screw & Washer 5/16"-18x3/4"			65909-962398	3
28	Cover		7342649	65909-945841	1
29	Gasket (in gasket set)		7411885	76670-38581	1
32-39	Cup	3110-1000359	706746	65909-945814	4
34-35-36	Shim (in gasket set)		7342494-96	76760-A85341-44	As rqd.
37	Spacer	2520-7342500	7342500	65909-945840	1
38	Gear w/cups #39	2520-7091752	7091752	65909-945802	1
40-76	Cone & rollers	3110-1000747	705268	65909-945815	4
45-46	Seal		500011	65909-948788	2
47	Rail, shift		7342859	65909-945821	1
48	Rail, shift		7342858	65909-945822	1
64	Case			65909-945800	1
65	Plug, drain	4730-9273347	1165517	65909-944513	1
68	Gear	2520-7412044	7412044	65909-945801	1
69-71	Roller	3110-1982494	712398	65909-945832	70
70	Spacer	5340-7342723	7342723	65909-945831	1
72	Washer	2520-7312046	7412046	65909-945830	1
73	Shaft		7351062	65909-945809	1
74	Gear	2520-7412043	7412043	65909-945804	1
77	Shaft	2520-7342505	7342505	65909-945808	1

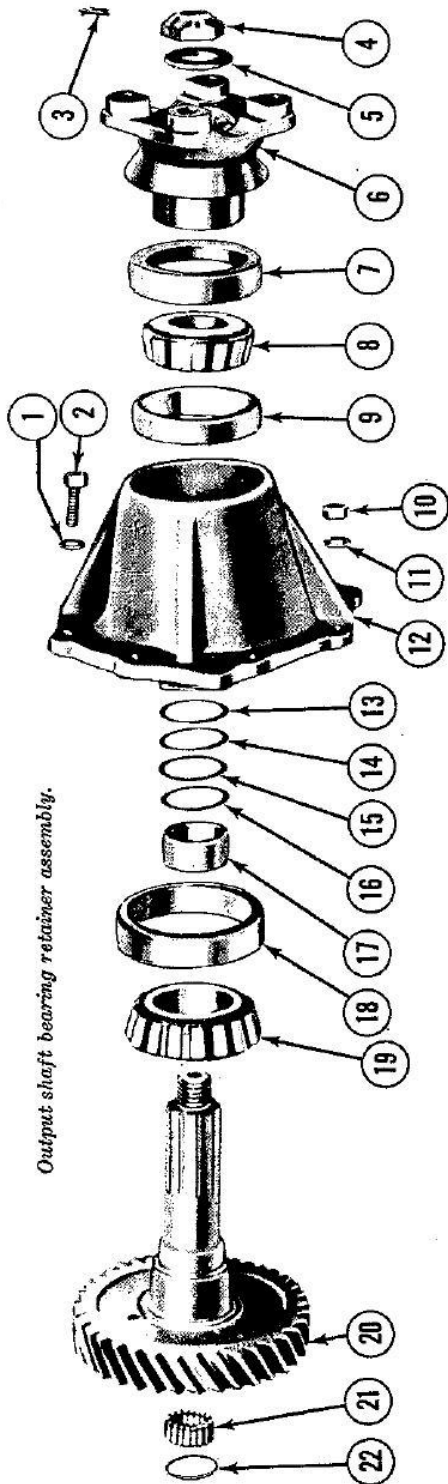


Brake output shaft bearing retainer.

TRUCK, CARGO: 1¼ TON, 4x4, M715
KAISER Jeep CORPORATION

**TRANSFER CASE—
PARTIAL**

Key No.	Description	Federal Stock No.	Ordnance Part No.	Manufacturer's Part No.	Qty. Per Assy.
1	Gasket			65909-938000	1
2	Sleeve			65909-927241	1
3	Gear	2520-7411861		65909-927143	1
4	Elbow, 90°			24617-137421	1
5-41	Lockwasher, 3/8"	5310-2617340	120382	24617-103321	8
6-40	Nut, 3/8"-24	5310-7320559	MS51968-8	24617-103026	8
7	Nut, 3/8"-24	5310-7320559	MS51968-8	24617-103026	1
8	Lockwasher, 3/8"	5310-2617340	120382	24617-103321	1
9	Stud	5315-7411872	7411872	65909-945851	1
10-21	Spring	5340-3590959	528008	65909-945854	2
11	Link		7349219	65909-945849	1
12	Pin, cotter, 3/32"x3/4"		103373	24617-121222	1
13-15	Lever		11657426	65909-945850	2
14	Bolt	5306-7324143	11657946	65909-945885	1
16	Pin, cotter	5315-8395822	MS24665-353	24617103385	1
17	Pin	5315-8423154	MS35810-36	24617-114787	1
18-20	Nut, 7/16"-14		120375	24617-120375	2
19	Washer		120380		1
22	Band assy.	2530-8735236 2530-4541319	7349062	65909-945848	1
23	Screw		35775	65909-945856	1
24	Spring		6245692		1
25	Washer, flat, 7/16"		120389	24617-106264	1
26-27	Nut, 7/16"-14		124834	24617-272122	2
28	Pin, cotter, 1/8"x1-1/4"		119209	24617-103386	1
29	Nut		7743652	65909-945817	1
30	Washer		7412534	65909-945816	1
31	Nut		125913	24617-9419656	4
32	Washer		138489		4
33	Flange		7351116	65909-945846	1
34	Drum	2530-4614091	11657410	65909-945845	1
35	Bolt		7351254	65909-945847	4
36	Spring	2530-9865271	7745282	65909-945852	1
37	Screw	5306-2815137	7351258	65909-945853	1
38	Lockwire	2520-7375412	594682	81349-22W1630	1
39	Oil seal		7705744	65909-948789	1
42	Support	2530-4544819	7411871	65909-945843	1
43	Gasket	2530-5232787	7373725	65909-945844	1
44	Cone & rollers	3110-1000747	705268	65909-945815	1
45	Cup	3110-1000359	706746	65909-945814	1
46	Stud, 3/8"-16 x 1-7/16"		113247	24617-103195	5
47	Screw		122138	65909-945799	9
48	Washer		120382		9
49	Retainer w/cups (#45 & #46)		927359	65909-945818	1
50-53	Shim (in gasket set)		7342494-96	76760-A85341-44	As reqd.
54	Spacer		734Z499	65909-94581	1
55	Gear	2520-7994329		65909-945806	1
56	Cup	3110-1000376	706763	65909-945812	1
57	Cone & rollers	3110-1003119	705308	65909-945813	1
58	Gear	2520-7091753	7091753	65909-945803	1
59	Roller	3110-9298365	7342865	65909-945833	15
60	Snap ring	5340-7411882	7411882	65909-945834	1



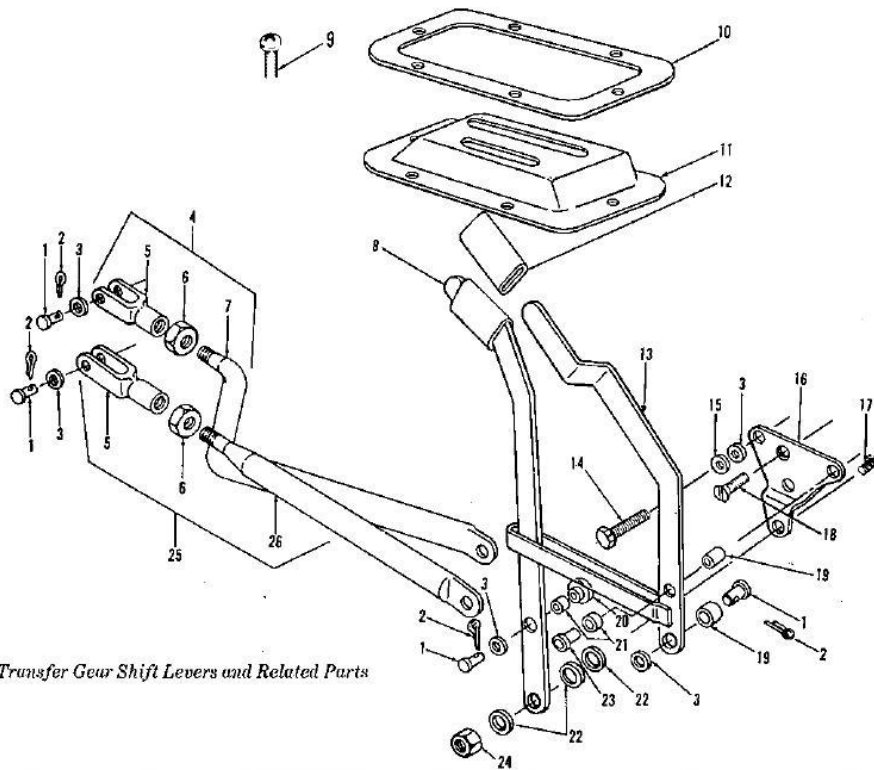
Output shaft bearing retainer assembly.

Key No.	Description	Federal Stock No.	Ordnance Part No.	Manufacturer's Part No.	Qty.	
					Per Assy.	As reqd.
1-11	Lockwasher, 3/8"		120382	24617-103321	8	
2	Screw		122138	65909-945799	6	
3	Pin, cotter, 1/8" x 1-1/4"		119209	24617-103386	1	
4	Nut		7743652	65909-945817	1	
5	Washer		7412534	65909-945816	1	
6	Flange	2520-9333723	7705744	65909-943743	1	
7	Oil seal		705268	65909-948789	1	
8	Cone & rollers	3110-1000747	706746	65909-945815	1	
9	Cup	3110-1000359		65909-945814	1	
10	Nut, 3/8"-24			24617-103026	8	
12	Retainer w/cups (#9 & #18)		7342494-96	65909-945819	1	
13-16	Shim (in gasket set)			76760-A85341-44	As reqd.	
17	Spacer	2520-7342501	7342501	65909-945835	1	
18	Cup	3110-1000376	706763	65909-945812	1	
19	Cone & rollers	3110-1003119	705308	65909-945813	1	
20	Gear	2520-7091753	7091753	65909-945803	1	
21	Roller	3110-9298365	7342865	65909-945838	15	
22	Snap ring	5340-7411882	7411882	65909-945834	1	

TRUCK, CARGO: 1¼ TON, 4x4, M715

KAISER Jeep CORPORATION

TRANSFER CASE SHIFT LINKAGE

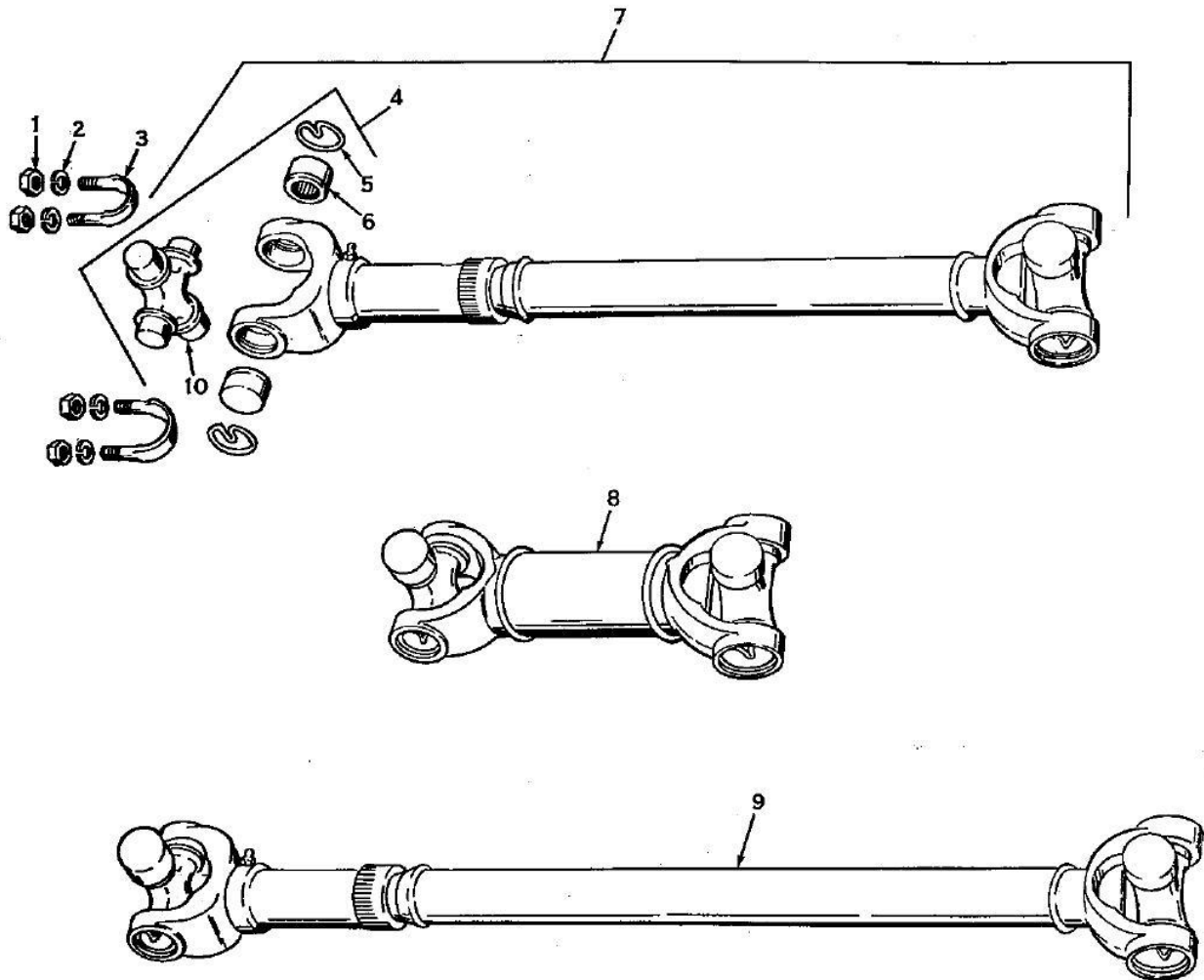


Power Transfer Gear Shift Levers and Related Parts

Key	Description	Federal Stock No.	Ordnance Part No.	Manufacturer's Part No.	Qty. Per Assy.
1	Pin, clevis	5315-8461270	MS35810-35		4
2	Pin, cotter	5315-8423044	MS24665-383		4
3	Washer	5310-0806004	MS27183-14		4
4	Rod assy, Hi-Lo shift		11656927		1
5	Clevis	5340-9301755	MS35812-5		2
6	Nut	5310-8807745	MS51968-11		2
7	Rod only		11656928		1
8	Lever assy.		11656930		1
9	Screw	5305-0569945	MS24621-18		6
10	Retainer		11657302		1
11	Seal	5330-1576257	11657228		1
12	Tubing		11656949		2
13	Lever assy.		11656932		1
14	Screw	5305-2694511	MS90725-63		1
15	Washer	5310-6379541	MS35338-46		1
16	Bracket		11656948		1
17	Screw	5305-2693240	MS90727-46		1
18	Screw	5305-9592724	MS35190-320		1
19	Spacer		11656950		1
20	Bushing		11656952		1
21	Spacer		11656953		2
22	Washer		8687086		3
23	Bushing		11656951		1
24	Nut	5310-0599264	MS21045-C6		1
25	Rod assy.		11656924		1
26	Rod only		11656925		1

DRIVE SHAFTS

TRUCK, CARGO: 1¼ TON, 4x4, M715
KAISER Jeep CORPORATION



PROPELLER SHAFTS

TRUCK, CARGO: 1¼ TON, 4x4, M715

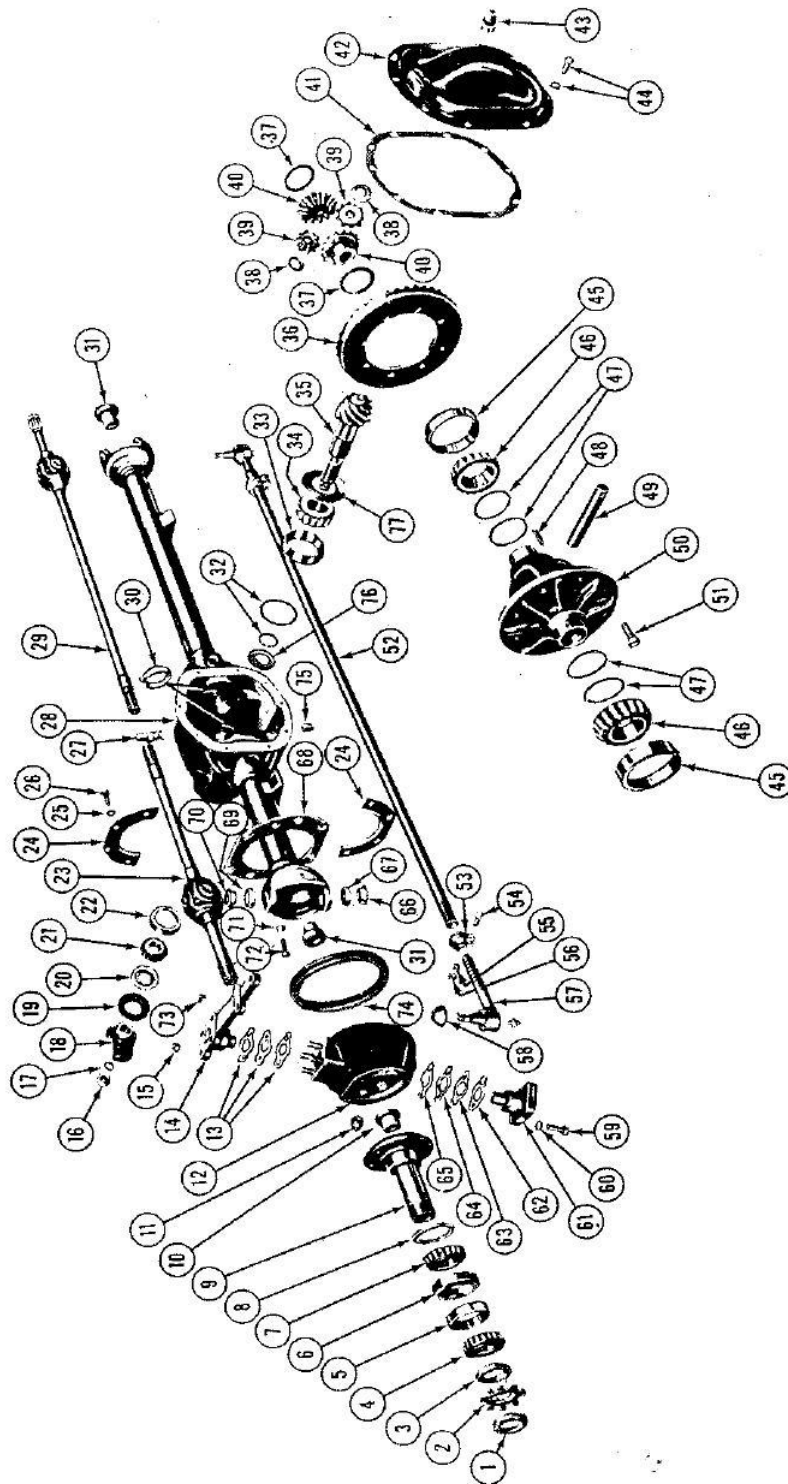
KAISER Jeep CORPORATION

DRIVE SHAFTS

<u>Key</u> <u>No.</u>	<u>Description</u>	<u>Federal</u> <u>Stock No.</u>	<u>Ordnance</u> <u>Part No.</u>	<u>Manufacturer's</u> <u>Part No.</u>	<u>Qty.</u> <u>Per</u> <u>Assy.</u>
1	Nut, 5/16" - 24	5310-8807746	MS51968-5	24617-120368	24
2	Lockwasher, 5/16"	5310-4079566	MS35338-45	24617-120214	24
3	"U" Bolt	5306-1744312	5307299	65909-A-490	12
4	Kit, U-Joint Repair				
	Transfer to Front Axle	2520-9333711	5704415	65909-943648	
				72447-5-200X	2
	Transmission to Transfer	2520-9273331		65909-944562	
				72447-5-266X	2
	Transfer to Rear Axle	2520-9273331		65909-944562	
				72447-5-266X	2
5	Snap Ring (Incl. in #4)				
6	Bearing Assy. (Incl. in #4)				
7	Drive Shaft Assy., Front	2520-9333288	11640964	65909-943646	1
8	Drive Shaft Assy., Intermediate	2520-9333589	11640987	65909-946558	1
9	Drive Shaft Assy., Rear	2520-9333289	11640965	65909-943647	1
10	Journal Assy. (Incl. in #4)				

FRONT AXLE

TRUCK, CARGO: 1 1/4 TON, 4x4, M715
KAISER Jeep CORPORATION



Front axle.

TRUCK, CARGO: 1 1/4 TON, 4x4, M715

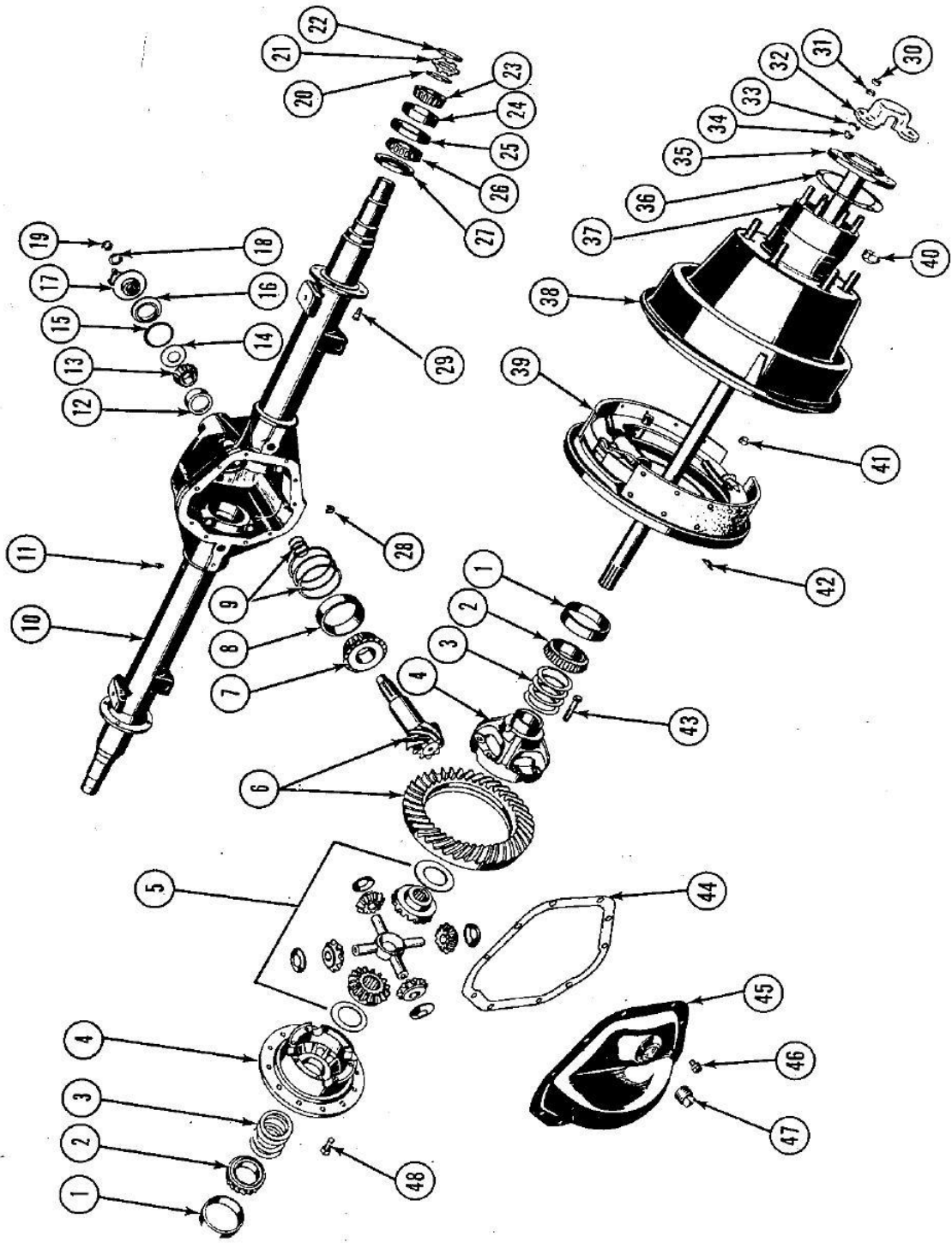
KAISER Jeep CORPORATION

FRONT AXLE

Key No.	Description	Federal Stock No.	Ordinance Part No.	Manufacturer's Part No.	Qty. Per Assy.
1 & 3	1 & 3 Axle Assy., Front	2550-9175551		65909-943671	1
2	2 Nut, Adjusting	5310-2460188	11657856	65909-913833	4
4	4 Washer	5310-1159037	11657860	65909-918434	4
5	5 Cone, Outer	3110-1008529		65909-946227	2
6	6 Cup, Outer	3110-1006534		65909-945727	2
7	7 Cup, Inner	3110-1000302		65909-919651	2
8	8 Cone, Inner	3110-1000229		65909-918400	2
9	9 Oil Seal, Inner	2550-9170818	11640817	65909-943661	2
10	10 Spindle w/Fl0 Rushing	2550-0048443		65909-945731	2
11	11 Bushing	2550-0098958	30864	65909-945701	2
12	12 Plug	4730-1956022		24617-444638	2
13	13 Knuckle	2530-9226157	34648	65909-945712	2
14	14 Shim Set (incl. #62 thru #65)	2530-9273356	5706043	65909-945744	1
15	15 Steering Arm, Right	2530-9286159	25730X	65909-945714	1
16	16 Steering Arm, Left	2530-9286159	25731X	65909-945713	1
17	17 Stud	5307-0881588	30874	65909-945715	8
18	18 Nut	5310-9316182		65909-919585	1
19	19 Washer	5310-9013274		65909-919612	1
20	20 Yoke	2550-9286150		65909-945711	1
21	21 Oil Seal	2530-9286149		65909-945710	1
22	22 Slinger			65909-945708	1
23	23 Cone, Pinion Rear	3110-5803708		65909-918608	1
24	24 Cup, Pinion Rear	3110-5803709		65909-919597	1
25	25 Axle Shaft Assy., Right	2530-9289824		65909-944564	1
26	26 Retainer	5330-9298871	33683	65909-945747	4
27	27 Lockwasher (incl. with #26)				
28	28 Bolt w/Lockwasher	5306-2751659	30233-1	65909-802488	24
29	29 Breather	(Not Serviced)			
30	30 Housing, w/Tubes	2530-9335530		65909-945732	1
31	31 Axle Shaft Assy., Left	2530-9286156		65909-943656	1
32	32 Seal	2530-9286156		65909-946702	2
33	33 Guide	2530-9273337		65909-919623	2
34	34 Shim Set	3110-6912512		65909-945709	1
35	35 Cup, Pinion Front	3110-6912511		65909-943678	1
36	36 Cone, Pinion Front			65909-943677	1
37	37 Slinger				
38	38 King Pin Assy.				
39	39 Cone, Lower				
40	40 Seal				
41	41 Cup, Upper				
42	42 Cone, Upper				
43	43 Washer				
44	44 Nut				
45	45 Bolt				
46	46 Lockwasher				
47	47 End, Tie Rod, Left				
48	48 End, Tie Rod, Right				
49	49 Dust Seal				
50	50 Shim Set				
51	51 Bolt				
52	52 Tie Rod Assy.				
53	53 Lockwasher, 1/2"				
54	54 Nut, 1/2"-20				
55	55 Clamp				
56	56 Bolt, 1/2"-20 x 2-1/4"				
57	57 End, Tie Rod, Left				
58	58 End, Tie Rod, Right				
59	59 Bolt				
60	60 Lockwasher				
61	61 King Pin Assy.				
62-65	62-65 (Incl. in #13)				
66	66 Cone, Lower				
67	67 Cup, Lower				
68	68 Seal				
69	69 Cup, Upper				
70	70 Cone, Upper				
71	71 Washer				
72	72 Bolt				
73	73 Nut				
74	74 Seal				
75	75 Plug				
76	76 Guard				
77	77 Slinger				
78	78 Key				
79	79 Federal Stock No.				
80	80 Ordinance Part No.				
81	81 Manufacturer's Part No.				
82	82 Qty. Per Assy.				

REAR AXLE

TRUCK, CARGO: 1 1/4 TON, 4x4, M715
KAISER Jeep CORPORATION



Rear axle.

TRUCK, CARGO: 1 1/4 TON, 4x4, M715
KAISER Jeep CORPORATION

REAR AXLE

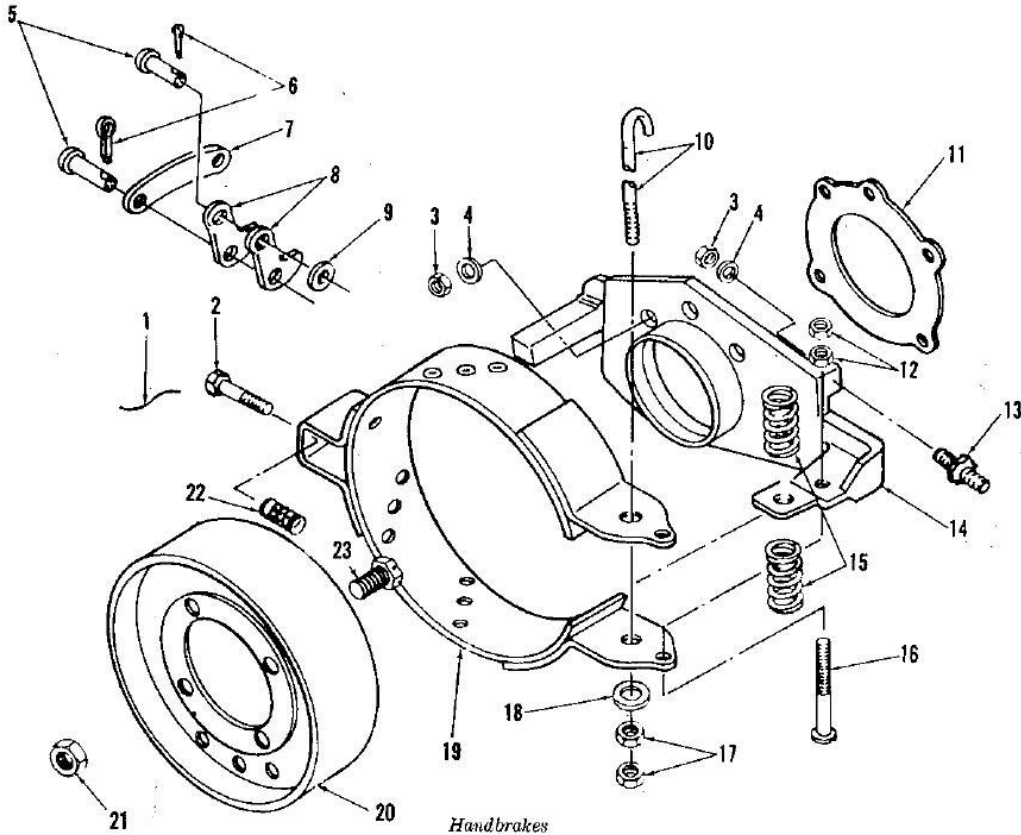
Key No.	Description	Federal Stock No.	Ordinance Part No.	Manufacturer's Part No.	Qty. Per Assy.
1	Rear Axle Assy.	2520-9175582		65909-944572	1
2	Cup	3110-7237488		65909-918576	2
3	Cone	3110-1000229		65909-918400	2
4	Gasket & Shim Set	2530-9333715		65909-943661	1
5	Case	2520-9333263		65909-919616	1
6	Spider Gear Set	2530-9170835		65909-919818	1
7	Ring Gear & Pinion Set			65909-943679	1
8	Cup			65909-919598	1
9	Spring	(Not Serviced)		65909-919598	1
10	Carrier (Housing)			65909-945700	1
11	Breather	(Not Serviced)		65909-919597	1
12	Cup	3110-5803709		65909-918596	1
13	Cone	3110-5803708		65909-919608	1
14	Slinger	(Not Serviced)		65909-945710	1
15	Gasket	2530-9286149		65909-919609	1
16	Oil Seal			65909-919612	1
17	Yoke	2520-3273332		65909-919685	1
18	Washer			65909-918433	4
19	Nut			65909-918434	4
20-22	Nut	5310-2460188	11657856		2
21	Washer	5310-1159047	11657860		2
23	Cone	3110-1000220		65909-54149	2
24	Cup	3110-1000295		65909-54150	2

Key No.	Description	Federal Stock No.	Ordinance Part No.	Manufacturer's Part No.	Qty. Per Assy.
25	Cup	3110-1424887		65909-944675	2
26	Cone	3110-1000251		65909-944688	2
27	Seal	5330-8645774	11640618	65909-943710	2
28	Plug	4730-9273347		65909-944513	1
29	Bolt			65909-918501	8
30	Nut, 7/16"-20	5310-2973250	M551988	24617-271506	28
31	Lockwasher, 7/16"	5310-5609503	M553335-36	24617-136857	28
32	Bracket	2530-4102275		65909-944466	4
33	Spacer			65909-918594	16
34	Bushing	3120-1797355	11656874	65909-918432	16
35	Axle Shaft, Left	2530-9333833	11640784		1
36	Axle Shaft, Right	2530-9333833	30961-2		1
37-38	Hub & Bearing Assy.	5330-9333317	11641093		2
39	Brake Assy., Right	2530-9333725		65909-943705	2
40	Brake Assy., Left			65909-946004	1
41	Nut	(Not Serviced)		65909-946003	1
42	Locknut	(Not Serviced)		65909-918290	24
43	Washer				8
44	Bolt	2520-0333931			1
45	Gasket				1
46	Cover				10
47	Screw, 3/8"-16 x 5/8"	4730-2887829		24617-423351	10
48	Plug	(Not Serviced)		24617-103869	1

HAND BRAKE

TRUCK, CARGO: 1 1/4 TON, 4x4, M715

KAISER Jeep CORPORATION

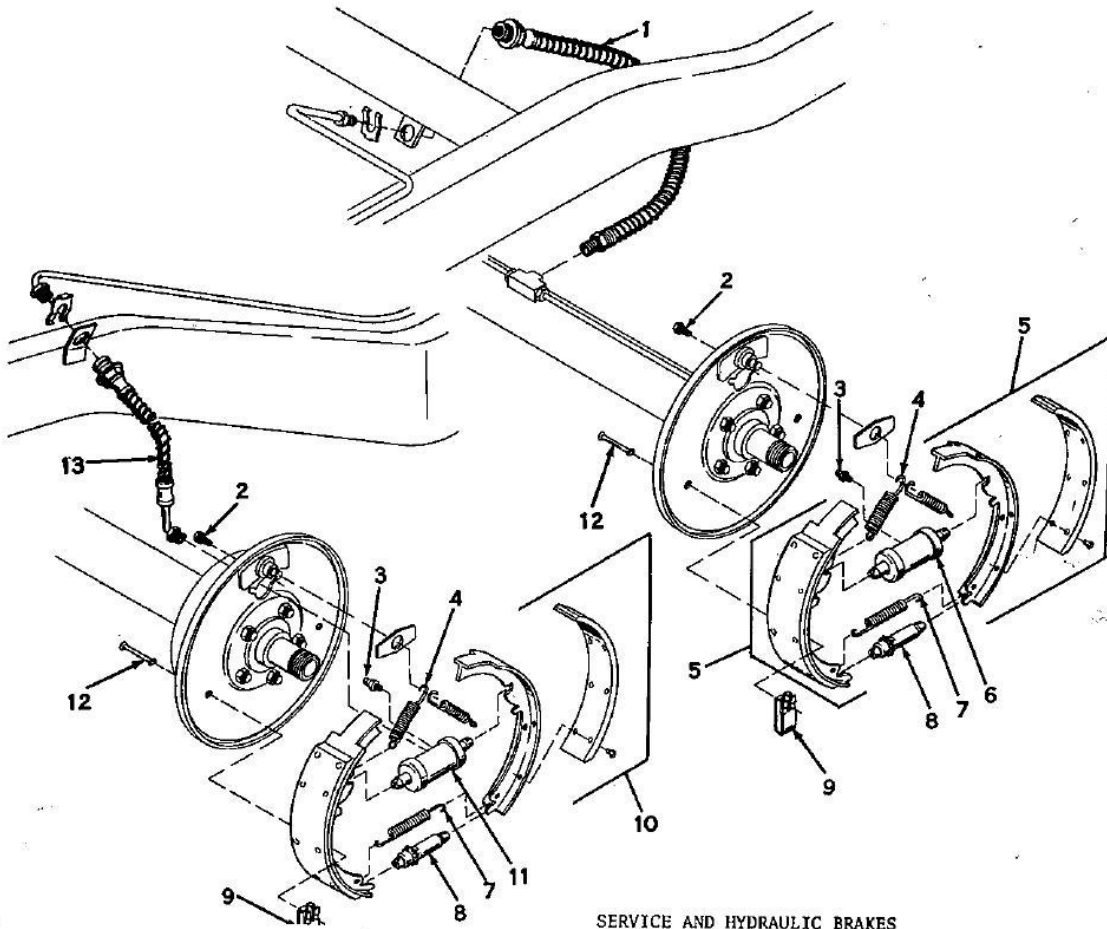


Key No.	Description	Federal Stock No.	Ordnance Part No.	Manufacturer's Part No.	Qty. Per Assy.
1	Wire	2520-7375415		81349-22W1630	1
2	Bolt	5306-2815137	7351258	65909-945853	1
3	Nut	5310-7320559	MS51968-8		6
4	Washer	5310-2617340	MS35338-46		6
5	Pin	5315-8423154	MS35810-36	24617-138084	2
6	Pin	5315-8395822	MS24665-353	24617-121222	2
7	Link		7349219	65909-945849	1
8	Lever		11657426	65909-945850	2
9	Washer	5310-4113981	8687086	65909-671692	2
10	"J" Bolt	5306-7324143	11657946	65909-945855	1
11	Gasket	2530-4232787	7373725	65909-945844	1
12	Nut	5310-7616882	MS51967-2	24617-120375	2
13	Stud	5315-7411872	7411872	65909-945851	1
14	Support	2530-4544819	7411871	65909-945843	1
15	Spring	5340-3590959	528008	65909-945854	2
16	Screw	5305-4576961	11657416	65909-945856	1
17	Nut, 7/16"-14	5310-8807745	MS51968-11	24617-272122	2
18	Washer, 7/16"	5310-8095997	MS27183-17	24617-106264	1
19	Band & Lining	2530-4541319			
		2530-8735236	7349062	65909-945848	1
20	Drum	2530-4614091	11657410	65909-945845	1
21	Nut	5310-8140672	MS51943-36		4
22	Spring	2530-9865271	7745282	65909-945852	1
23	Bolt	2530-4952152	7351254		4

TRUCK, CARGO: 1 1/4 TON, 4x4, M715

SERVICE BRAKES

KAISER Jeep CORPORATION

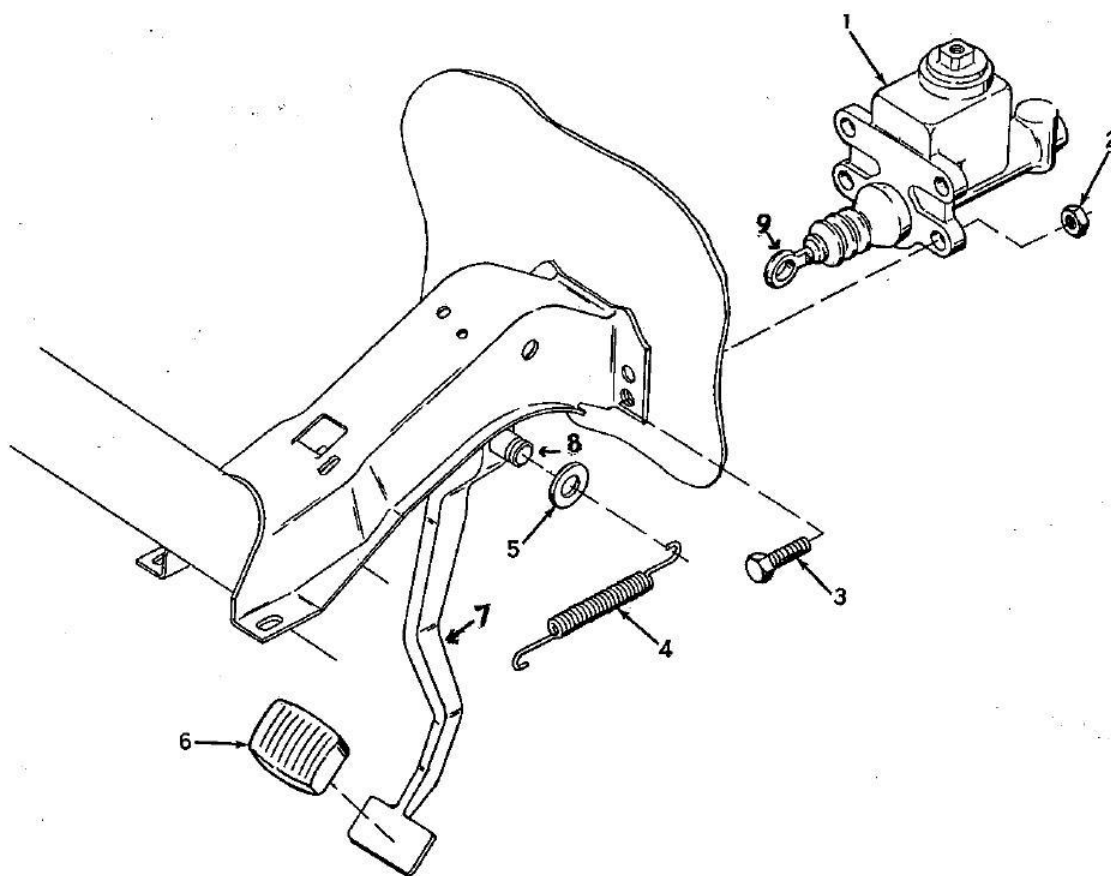


SERVICE AND HYDRAULIC BRAKES

Key No.	Description	Federal Stock No.	Ordinance Part No.	Manufacturer's Part No.	Qty. Per Assy.
1	Hose, Rear	2530-1258728 2530-9170814	11650894	65909-946693	1
2	Screw	5305-4073738	99-92475-100	24617-9409097	8
3	Bleeder Screw	4820-4776174		65909-945755	4
4	Spring, Return	2530-9170871		65909-943654	8
5	Shoe w/Lining	2530-9333585	5704421	65909-944587	8
6	Wheel Cylinder, Right	2530-9273316	11640755-2	65909-944578	2
7	Spring, Adjusting	2530-2535827		65909-945752	4
8	Screw & Nut, Adjusting			65909-945797	4
9	Clip	2530-7143117		65909-945751	4
10	Lining Set (Per Axle)	2530-8986434		65909-946988	2
11	Wheel Cylinder, Left	2530-9333584	11640755-1	65909-943652	2
12	Pin	2530-9872559		65909-945750	8
13	Hose, Front	2530-9170802	11641037	65909-943653	2
	Kit, Wheel Cylinder Repair	2530-9333575		65909-944446	4

**BRAKE PEDAL
MASTER CYLINDER**

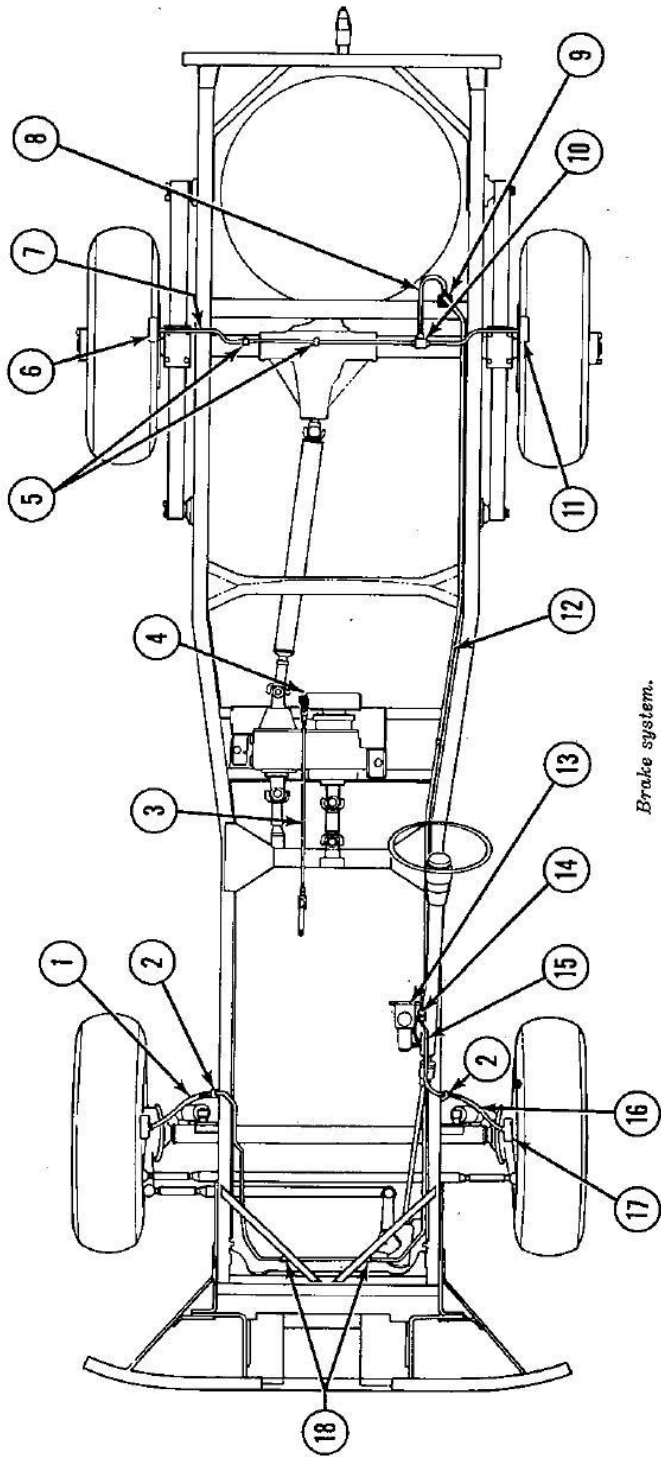
TRUCK, CARGO: 1 1/4 TON, 4x4, M715
KAISER Jeep CORPORATION



<u>Key No.</u>	<u>Description</u>	<u>Federal Stock No.</u>	<u>Ordnance Part No.</u>	<u>Manufacturer's Part No.</u>	<u>Qty. Per Assy.</u>
1	Master Cylinder Assy.	2530-1258726 2530-9273274	11640970	65909-944579	1
2	Nut, 3/8"-16	5310-4627044	MS51922-17	65909-931807	2
3	Bolt, 3/8"-16 x 1-1/8"	5305-0180123	MS90725-61	24617-180123	2
4	Spring	2530-9170922	11656871	65909-941529	1
5	Washer	5310-4615857	10910174-31	65909-930401	1
6	Pad	2530-1258727	11656845	65909-948758	1
7	Pedal Only		11656873		1
	Pedal Assy.		11656872	65909-948090	1
	Bushing, Pedal	2530-9175367	10888013	65909-946177	1
		2530-1258729			
8	Shaft, Pedal	2520-4438133	11656847	65909-939023	1
9	Eye Bolt	2520-4438018		63477-FC32604	1
	Kit, Master Cylinder Repair	2530-9333582		65909-944580	1

TRUCK, CARGO: 1 1/4 TON, 4x4, M715
KAISER Jeep CORPORATION

BRAKE SYSTEM LAYOUT



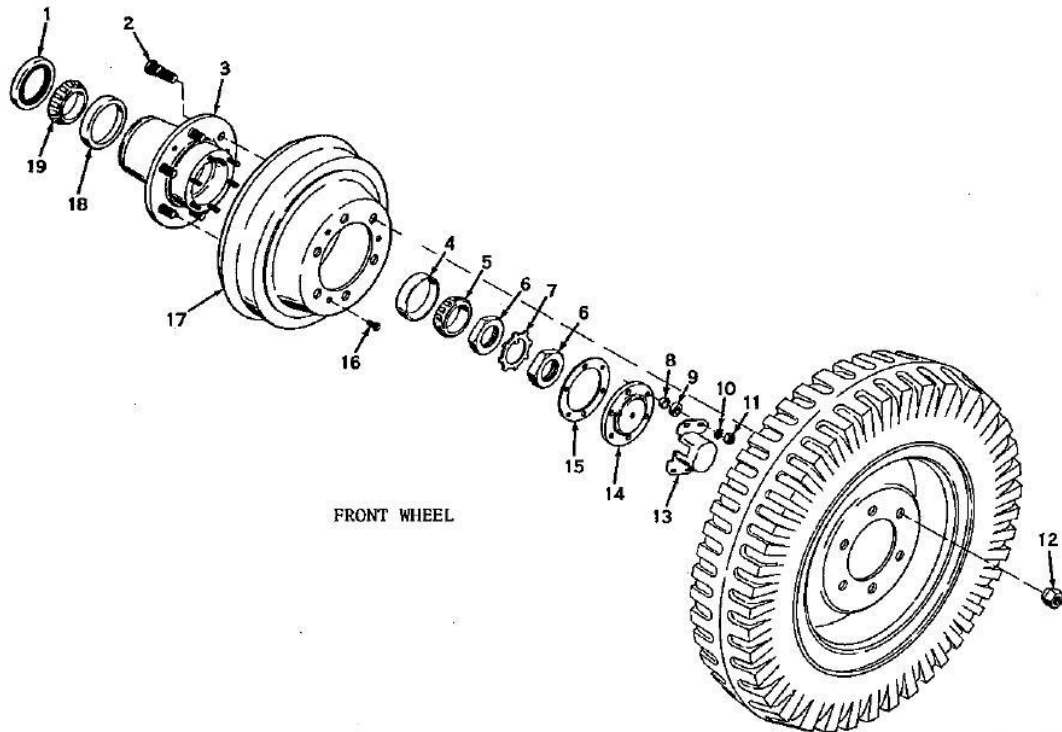
Brake system.

Key No.	Description	Federal Stock No.	Ordnance Part No.	Manufacturer's Part No.	Qty. Per Assy.	Federal Stock No.		Ordnance Part No.	Manufacturer's Part No.	Qty. Per Assy.
						11-17	11-17			
1-16	Hose, Front	2530-8170802	11641037	65909-946683	2	4730-4509239	11640642	65909-917339	1	
2	Clip	5340-3714134	11637610	65909-837427	3	2530-9333584	11640755-1	65909-946652	2	
3	Rod	5340-4773776	11656882	65909-944707	1	2530-4545085	11656884	65909-946696	1	
4	Drum	2530-4614091	11637410	65909-946845	1	2530-1258725	11640970	65909-944579	1	
5	Clip	5340-2827519	M521333-34	65909-946845	2	2530-9273274	11640958	65909-K-740588	1	
6	Wheel Cylinder, Right	2530-8278316	11640758-2	65909-944578	2	4730-8334678	11656887	65909-939871	1	
7	Tube	4710-2484346	11656886	65909-946697	1	4720-1654958	432866	24617-432866	5	
8	Hose, Rear	2530-8170814	11640894	65909-946683	1	5340-3442784				
9	Union	4730-2788865	137412	24617-137412	1					

**FRONT WHEEL
FRONT HUB AND DRUM**

TRUCK, CARGO: 1¼ TON, 4x4, M715

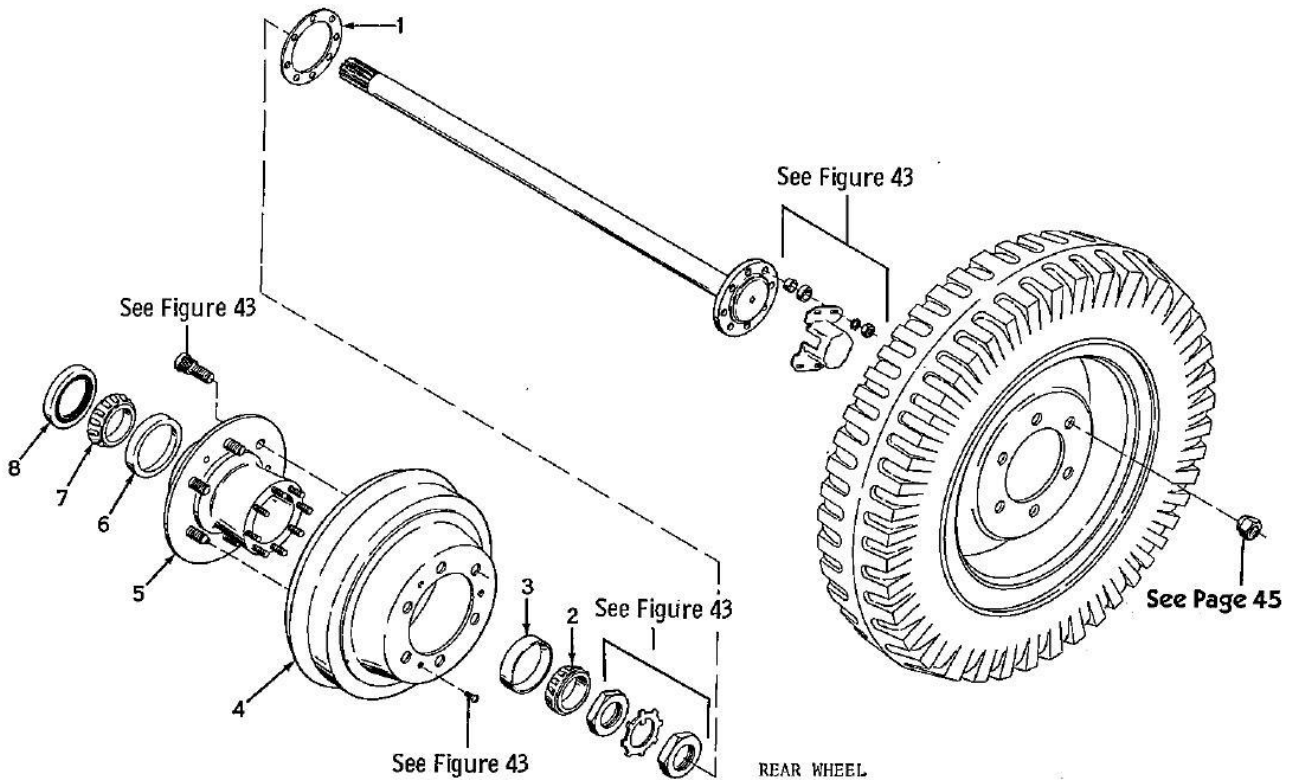
KAISER Jeep CORPORATION



Key No.	Description	Federal Stock No.	Ordnance Part No.	Manufacturer's Part No.	Qty. Per Assy.
1	Seal, Inner	2530-9170818	11640817	65909-943661	2
2	Stud	2530-9333580	11640680	65909-944588	24
3	Hub Assy.	2530-9333583	11640973	65909-943657	2
4	Cup, Outer	3110-1000534		65909-945772	2
5	Cone, Outer	3110-1003529		65909-946327	2
6	Nut	5310-2460188	11657856	65909-918433	8
7	Washer	5310-1159047	11657860	65909-990145	4
8	Bushing	3120-1797355	11640734	65909-918432	16
9	Spacer		11656874	65909-918894	16
10	Lockwasher	5310-5503503	MS35335-36	24617-120383	28
11	Nut	5310-2973250	MS1968-11	24617-120370	28
12	Nut	5310-7923588	11657800	65909-948421	24
13	Bracket	2530-4102275	11656909	65909-944466	4
14	Flange	2520-0339336	945749	65909-945749	2
15	Gasket	5330-0878929	11657211	65909-943663	2
16	Screw	5305-8235744	11657855	65909-946014	12
17	Drum Assy.	2530-9333581	11640839	65909-943658	2
18	Cup, Inner	3110-1000302		65909-919661	2
19	Cone, Inner	3110-1000229		65909-918400	2
	Tire, 9.00 x 16-8 ply	2610-5404719	MS35388-11	65909-943753	4
	Wheel Assy., 16" x 6.50"	2530-9273291	11641032	65909-943778	4
	Hub & Drum Assy.		11641020		2
	Stud, Flange, 2"		11640937-2	65909-944515	12
	Stud, Flange, 2-1/2"		11640937-1	65909-944516	16

TRUCK, CARGO: 1¼ TON, 4x4, M715
 KAISER Jeep CORPORATION

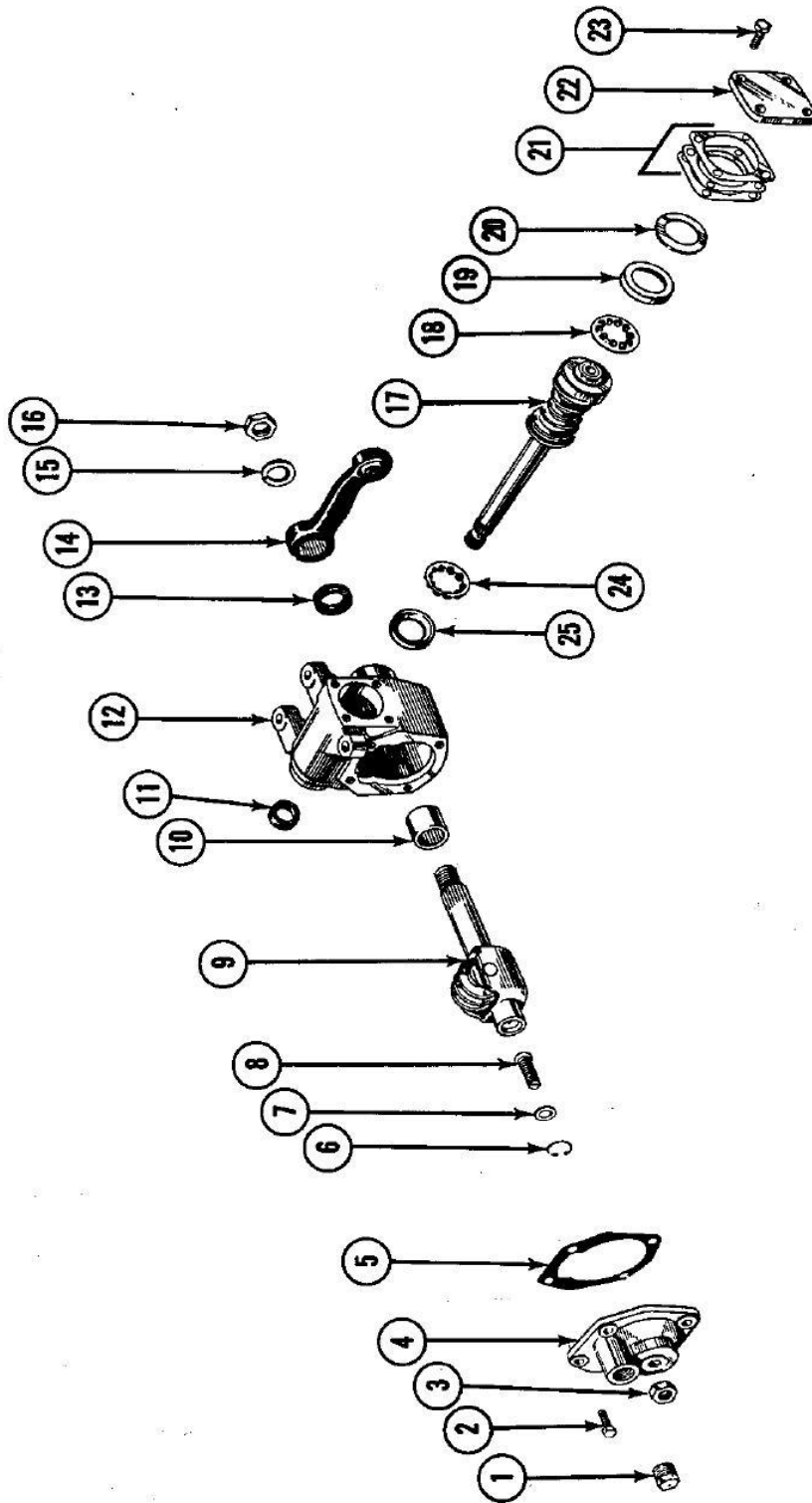
**REAR WHEEL
 REAR HUB AND DRUM**



<u>Key No.</u>	<u>Description</u>	<u>Federal Stock No.</u>	<u>Ordnance Part No.</u>	<u>Manufacturer's Part No.</u>	<u>Qty. Per Assy.</u>
1	Gasket	5330-9333317		65909-918410	2
2	Cone, Outer	3110-1000220		65909-54149	2
3	Cup, Outer	3110-1000295		65909-54150	2
4	Drum Assy.	2530-9333726	11640991	65909-943707	2
5	Hub Assy.	2530-9333725	11640721	65909-943705	2
6	Cup, Inner	3110-1424387		65909-944675	2
7	Cone, Inner	3110-1000251		65909-944668	2
8	Seal, Inner	5330-8645774	11640818	65909-943710	2
	Hub & Drum Assy.	5330-8645776	11641021		2

STEERING GEAR

TRUCK, CARGO: 1 1/4 TON, 4x4, M715
KAISER Jeep CORPORATION



Steering gear.

TRUCK, CARGO: 1¼ TON, 4x4, M715

KAISER Jeep CORPORATION

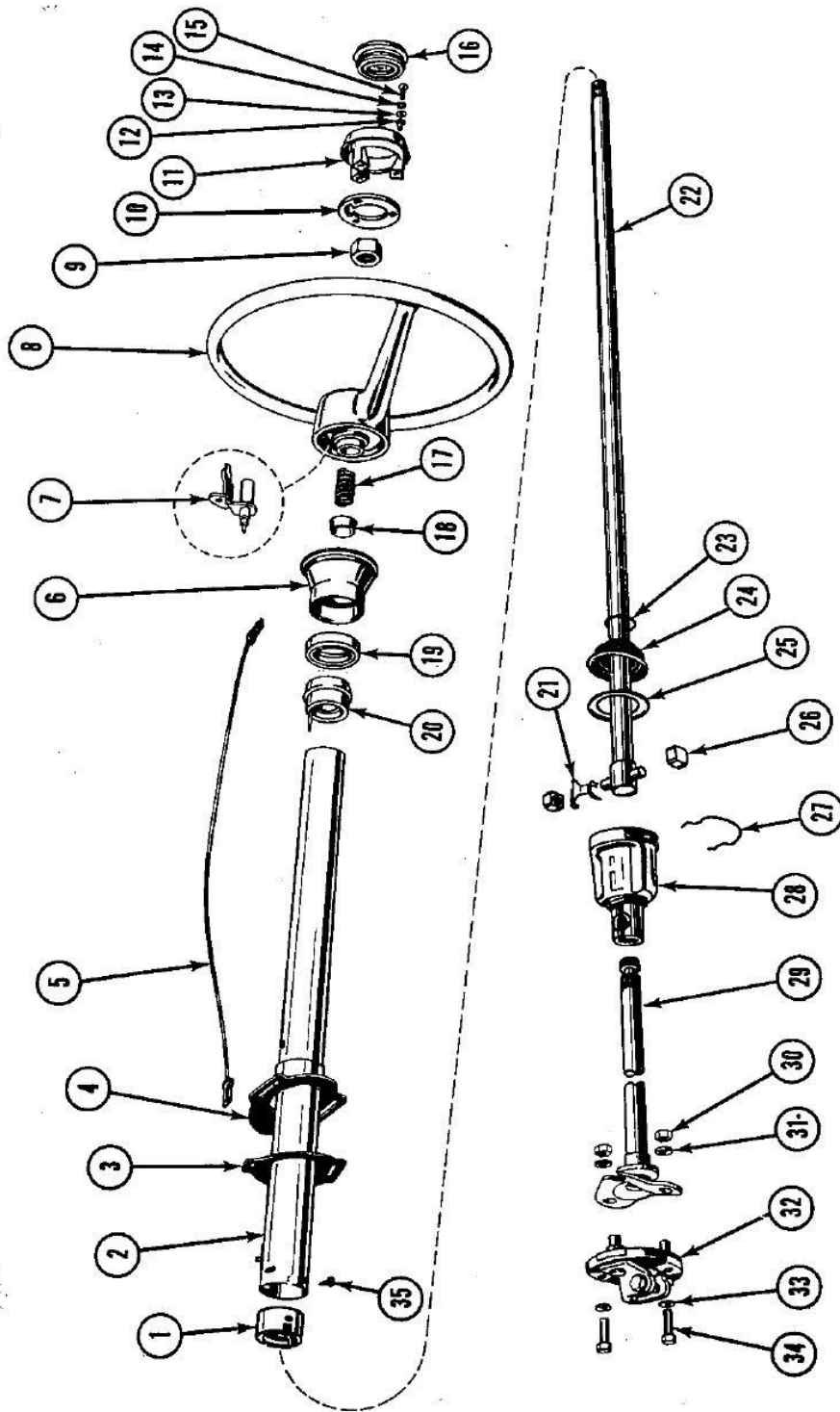
STEERING GEAR

Key No.	Description	Federal Stock No.	Ordnance Part No.	Manufacturer's Part No.	Qty. Per Assy.
1-4	Cover & Plug			65909-945908	1
2	Screw, 3/8"-16 x 13/16"			65909-945897	4
3	Nut			65909-940546	1
5	Gasket			65909-945912	1
6	Ring			65909-940544	1
7	Washer			65909-940543	1
8	Screw			65909-940545	1
9	Shaft & Roller			65909-945907	1
10	Bearing			65909-945911	1
11	Seal			65909-945898	1
12	Housing			65909-945888	1
13	Seal			65909-945899	1
14	Pitman Arm	2530-9334437		65909-943686	1
15	Lockwasher			65909-945910	1
16	Nut			65909-945909	1
17	Column & Worm			65909-945905	1
18-24	Ball & Cage			65909-945896	2
19	Cup, Lower			65909-945894	1
20	Shield			65909-945913	1
21	Shim			65909-945889/91	As Req.
22	Cover			65909-945893	1
23	Screw, 5/16"-18 x 7/8"			65909-945892	4
25	Cup, Upper			65909-945895	1
	Steering Gear Assy.	2530-9333531		65909-943854	1
	Not Pictured				
	Steering Drag Link	2530-9170927		65909-943781	1

STEERING COLUMN

TRUCK, CARGO: 1¼ TON, 4x4, M715

KAISER Jeep CORPORATION



Steering column.

TRUCK, CARGO: 1 1/4 TON, 4x4, M715
KAISER Jeep CORPORATION

STEERING COLUMN

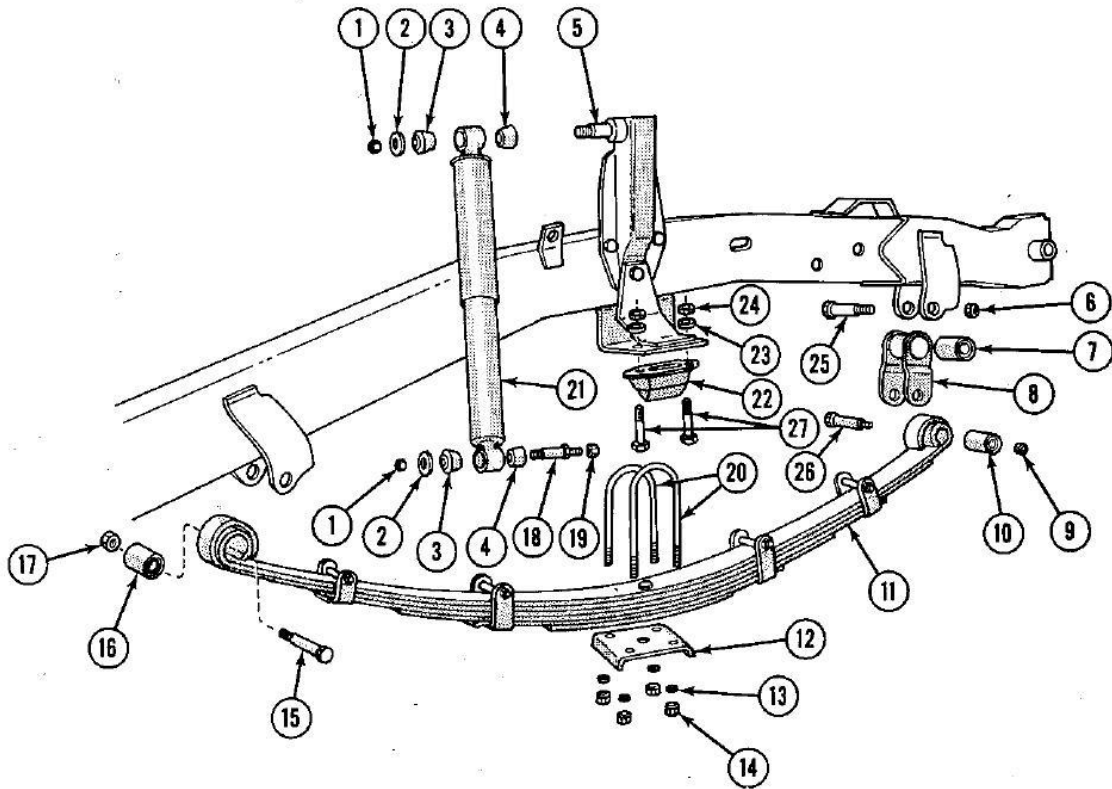
Key No.	Description	Federal Stock No.	Ordinance Part No.	Manufacturer's Part No.	Qty. Per Assy.
1	Bearing, Lower @		11657661	65909-936361	1
2	Column, Outer @		11657628	65909-944683	1
3	@ Column Assy.		11640825		1
4	Seal @		11641014	65909-940994	1
5	Support @		11640971		1
6	Cable	2590-2480628	11657627	65909-944697	1
7	Retainer		11641066	65909-944655	1
8	Bracket		11657172	65909-940898	1
9	Wheel		11641065	65909-944170	1
10	Nut	2530-9175907	121358	24617-121358	1
11	Switch	5310-1121358	11640681	65909-930322	1
12	Flange & Boot	5930-9333742	11657554	65909-944172	1
13	Spacer	2590-1150531	11640999	65909-934068	3
14-15	Washer	5340-1781445	MS27183-5	24617-131014	3
16	Screw & Lockwasher	5310-0821404	420454	24617-420454	3
17	Horn Button	5305-0420454	11657563	65909-944175	1
18	Spring	2590-1130749	11657588	65909-944654	1
19	Sleeve		7979485	65909-924569	1
20	Seal	5330-1576302	11640831	65909-944657	1
21	Retainer @		11640830	65909-944656	1
22	Clamp		11657573	65909-931882	1
23	Shaft Only *		11657572		1
24	* Shaft Assy.	2530-1249752	11640797	65909-936381	1
25	Spring *				1
26	Boot *	5330-1478446			1
27	Retainer *		11657577		1
28	Bearing *		11657570		1
29	Snap Ring *		11657578		2
30	Coupling *		11657940		1
31	Shaft & Flange		11657569		1
32	Nut & Lockwasher	2530-4545083	11640916	65909-945691	1
33	Coupling & Flange	5301-6965177	8328482	24617-271193	1
34	Lockwasher, 3/8"	2530-1256638	11640997	65909-945694	1
35	Capscrew, 3/8"-24 x 1-1/4"			24617-120382	1
	Screw & Lockwasher		11657685	24617-9406787	1
				65909-938853	2

NOTE: @ Column Assy. includes Items followed by @

* Shaft Assy. includes Items followed by *

**FRONT SPRINGS
FRONT SHOCKS**

TRUCK, CARGO: 1 1/4 TON, 4x4, M715
KAISER Jeep CORPORATION



Front spring and related parts.

TRUCK, CARGO: 1¼ TON, 4x4, M715

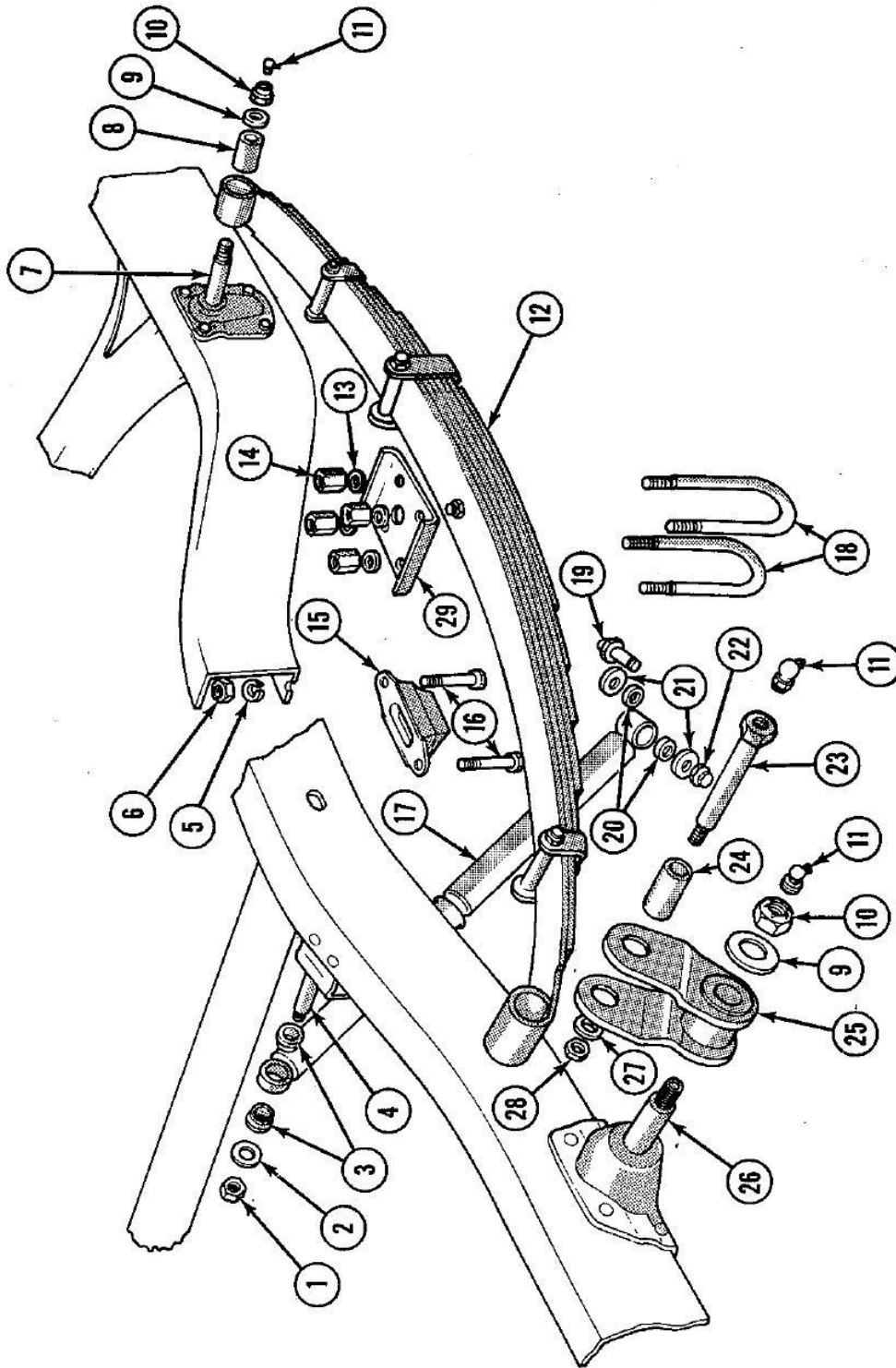
KAISER Jeep CORPORATION

**FRONT SPRINGS
FRONT SHOCKS**

<u>Key No.</u>	<u>Description</u>	<u>Federal Stock No.</u>	<u>Ordnance Part No.</u>	<u>Manufacturer's Part No.</u>	<u>Qty. Per Assy.</u>
1	Nut, 7/16"-20	5310-8575561	MS21045-C7	24617-272712	6
2	Washer, 7/16"	5310-0120839	MS27183-21	24617-120389	6
3-4	Bushing	5340-3114306	7343032	65909-637936	8
5	Bracket, Left	2540-4551319	11656788-1	65909-944201	1
5	Bracket, Right	2540-4551320	11656788-2	65909-944203	1
6-9-17	Nut, 9/16"-18	5310-8975940	MS51922-45	24617-443342	6
7-10	Bushing	5340-1657798	11640742	65909-934900	2
8	Shackle Assy.	2510-9170882	11656819	65909-943690	2
	Shackle Only		5704407		
			11656820	65909-944471	2
11	Spring Assy.	2510-1241312	11657401	65909-946630	2
		2510-9333592			
	Main Leaf (#1)	2510-9334436		65909-943746	2
	Wrapper Leaf (#2)	2510-9333538		65909-943747	2
	Leaf #3	2510-9865689		65909-943748	2
12	Plate		11656825	65909-947366	2
13	Washer, 1/2"	5310-2532610	11657418	24617-120396	2
				65909-808961	
14	Nut, 1/2"-20	5310-4883888	MS51943-40	65909-947326	2
15-25-					
26	Bolt	5305-7246838	MS90726-148	24617-124412	6
16	Bushing			65909-944871	2
18	Pin	2540-4569163	11641024	65909-912703	2
19	Nut, 9/16"-18	5310-0443342		24617-443342	2
20	U-Bolt	2510-9334434	8673395-2	65909-943689	4
			5704433	65909-946549	
21	Shock Absorber	2540-9333587	11640910	65909-946034	2
22	Bumper		11657735	65909-945577	2
23	Lockwasher, 3/8"	5310-6379541	MS35338-46	24617-120382	4
24	Nut, 3/8"-24	5310-9135476	MS51968-8	24617-120369	4
27	Bolt, 3/8"-24 x 1	5305-2697803	MS90726-60	24617-120647	4

REAR SPRINGS
REAR SHOCKS

TRUCK, CARGO: 1¼ TON, 4x4, M715
KAISER Jeep CORPORATION



Rear spring and related parts.

TRUCK, CARGO: 1 1/4 TON, 4x4, M715

KAISER Jeep CORPORATION

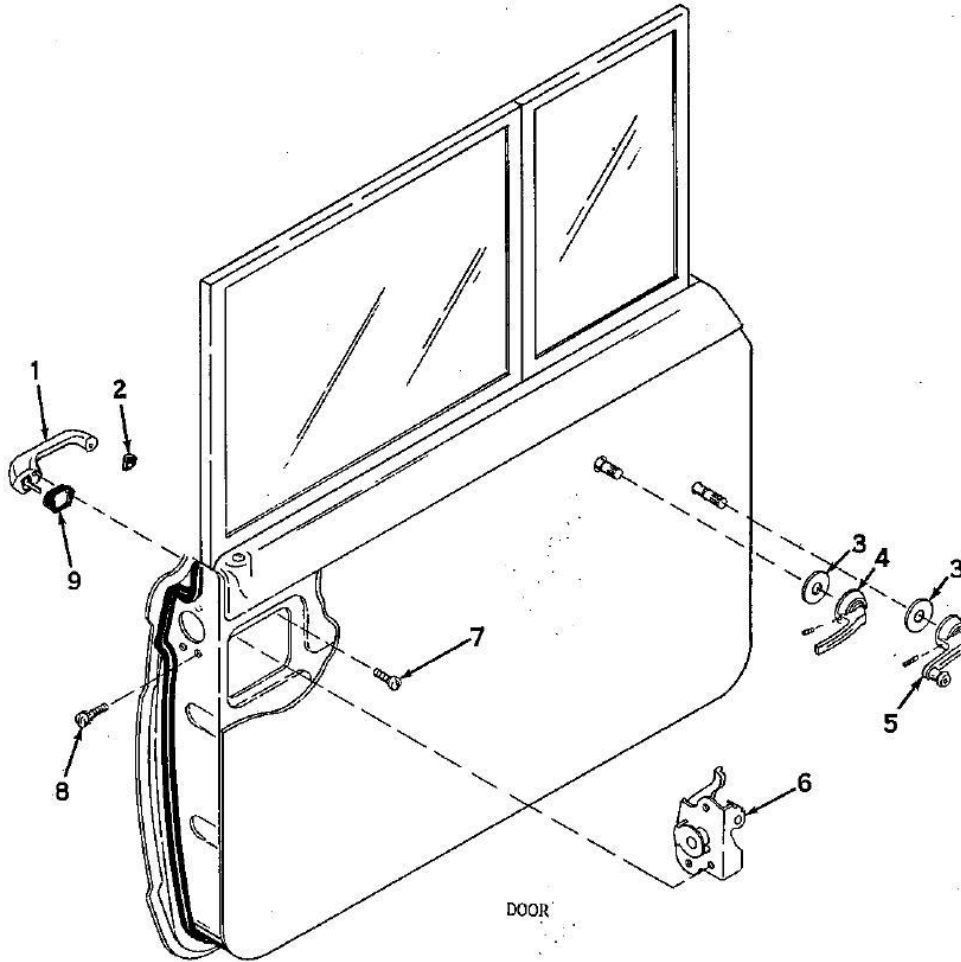
**REAR SPRINGS
REAR SHOCKS**

Key No.	Description	Federal Stock No.	Ordinance Part No.	Manufacturer's Part No.	Qty. Per Assy.
1	Nut, 7/16"-20	5310-8575561	MS21045-C7	24617-272712	2
2	Washer, 7/16"	5310-0120839	MS27183-21	24617-120839	2
3-20	Bushing	5340-3114306	7343032	65909-637936	8
4	Bracket	(Not Serviced)			2
5	Lockwasher, 3/8"	5310-6379541	MS35338-46	24617-120382	4
6	Nut, 3/8"-24	5310-9135476	MS51968-8	24617-120369	4
7	Bracket	(Not Serviced)			2
8	Bushing	(Not Serviced)			2
9	Washer	5310-8098533	MS27183-23	24617-130999	4
10	Nut, 5/8"-18	5310-2256408	MS51922-53	24617-443344	6
11	Fitting	4730-0504208	MS15003-1		6
12	Spring Assy. Main Leaf (#1)	2510-9333710	11657403	65909-943695	2
	Leaf #2	2510-9333278		65909-943749	2
		2510-9333280		65909-943750	2
13	Washer, 1/2"	5310-2532610	11657418	24617-120396	8
14	Nut, 1/2"-20	5310-4883888	MS51943-40	65909-808961	8
15	Bumper		11657735	65909-947326	2
16	Bolt, 3/8"-24 x 1	5305-2697803	MS90726-60	65909-945577	4
17	Shock Absorber	2540-1241313	11641010	24617-120647	2
		2540-9273276		65909-946035	2
18	U-Bolt, Outer (Offset)	2510-9170952	11656824	65909-943696	2
18	U-Bolt, Inner	2540-9003148	8673395-1	65909-945570	2
19	Bolt, 1/2"-20 x 2-1/2	5305-7168182	MS90726-117	65909-945569	2
21	Washer	5310-8095997	MS27183-17	24617-181709	4
22	Nut, 1/2"-20	5310-4883888	MS51943	24617-131016	2
23	Bolt	5306-4569162	11657419	24617-442832	2
24	Bushing	2510-9623065	11657405	65909-912677	2
25	Shackle Assy. Shackle Only	2510-9170887	11656817	65909-912668	2
26	Hanger	(Not Serviced)	11656818	65909-912671	2
27	Washer	5310-8098533	MS27183-23	24617-131016	2
28	Nut, 5/8"-18	5310-2256408	MS51922-53	24617-443344	2
29	Plate		11656822	65909-918088	2

CAB DOORS

TRUCK, CARGO: 1¼ TON, 4x4, M715

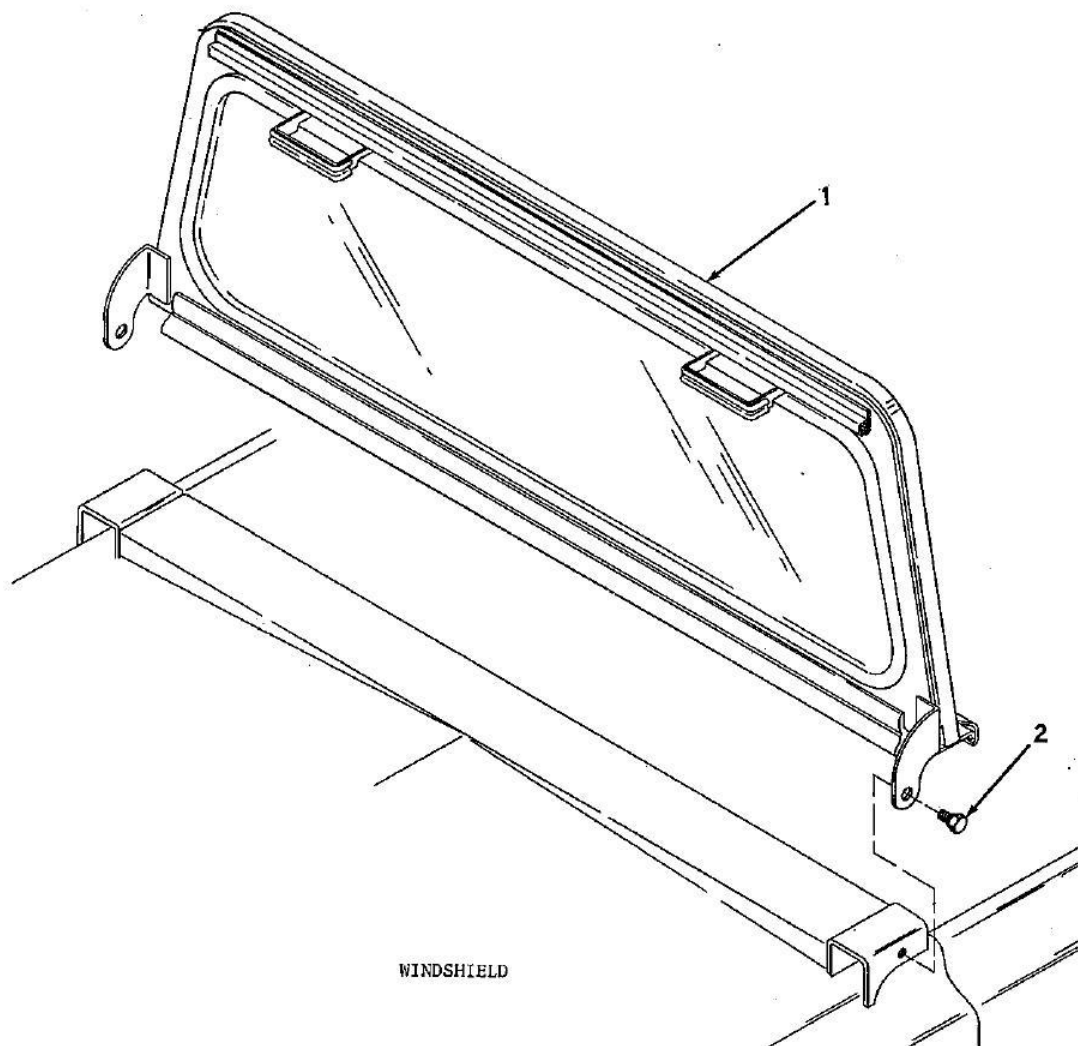
KAISER Jeep CORPORATION



Key No.	Description	Federal Stock No.	Ordnance Part No.	Manufacturer's Part No.	Qty. Per Assy.
	Door Assy., Left			65909-974511	1
	Door Assy., Right			65909-974512	1
1	Handle, Outer, Left	2540-9175906	11662565-1	65909-973835	1
1	Handle, Outer, Right	5340-4551315	11662565-2	65909-973836	1
2	Gasket, Left	5330-4378764	11657530-1	65909-960393	1
2	Gasket, Right		11657530-2	65909-960394	1
3	Escutcheon	5340-1580035	11640988	65909-956346	4
4	Handle, Inner	2540-9175892	11657824	65909-973840	2
5	Handle, Regulator	2540-9175898	11641068	65909-973838	2
6	Lock, Left			65909-977733	1
6	Lock, Right			65909-977734	1
7	Screw & Lockwasher			24617-453046	4
8	Screw & Lockwasher			24617-445638	6
9	Gasket, Left	5330-4615767	11657938-1	65909-960387	1
9	Gasket, Right	5330-4615768	11657938-2	65909-960388	1
	Not Pictured				
	Regulator, Window, Left	2540-9175900		65909-973601	1
	Regulator, Window, Right	2540-9175899		65909-973602	1
	Striker Assy., Left	2590-7615596	11640935-1		1
	Striker Assy., Right	2590-4936253	11640933-2		1

TRUCK, CARGO: 1¼ TON, 4x4, M715
 KAISER Jeep CORPORATION

WINDSHIELD

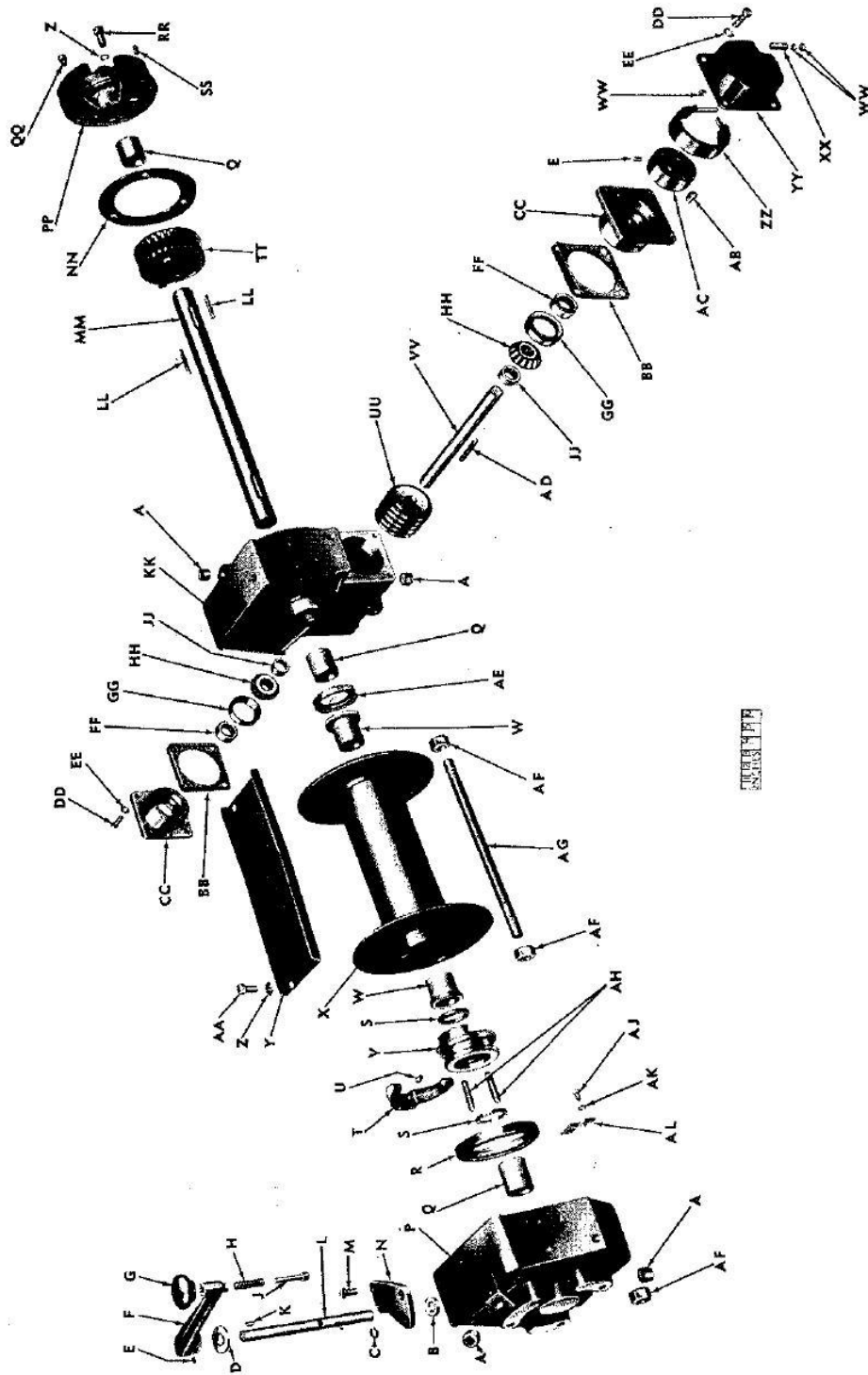


<u>Key No.</u>	<u>Description</u>	<u>Federal Stock No.</u>	<u>Ordnance Part No.</u>	<u>Manufacturer's Part No.</u>	<u>Qty. Per Assy.</u>
1	Windshield Assy.			65909-974476	1
2	Bolt		11657640	65909-975331	2
	Not Pictured				
	Motor, Windshield Wiper	2540-9175895	7017830-1	65909-975759	2
	Arm, Wiper	2540-9175896	11652522	65909-944239	2
	Blade, Wiper	2540-9175894	11640713	65909-975900	2
	Valve, Wiper Control	2540-6781340	7017829	65909-975901	1
		2540-3049417			

**FRONT WINCH
ASSEMBLY**

TRUCK, CARGO: 1¼ TON, 4x4, M715
KAISER Jeep CORPORATION

FRONT WINCH ASSY. 7728126



7728126

TRUCK, CARGO: 1¼ TON, 4x4, M715

KAISER Jeep CORPORATION

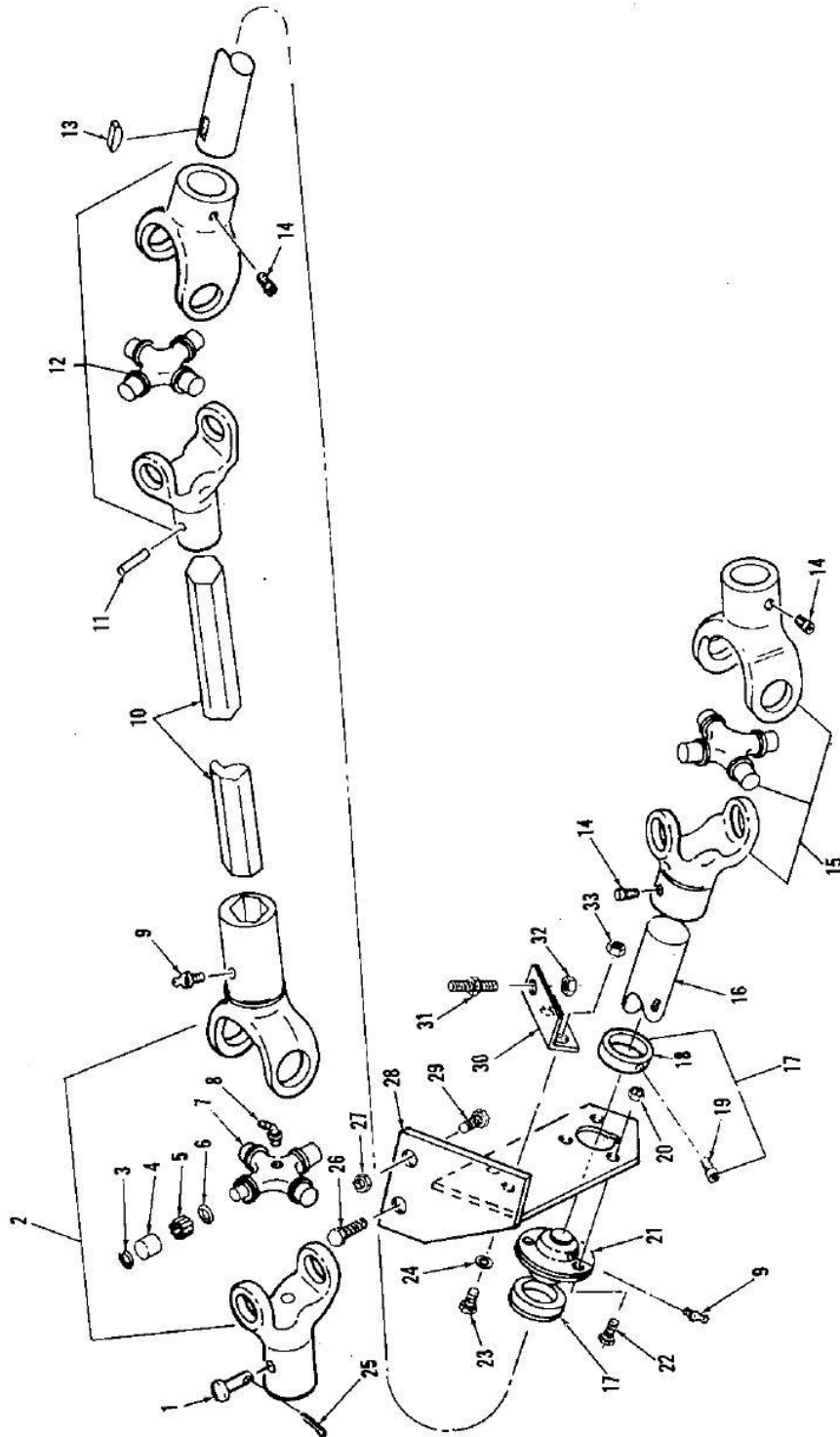
**FRONT WINCH
ASSEMBLY**

Key	Item	Part No.	Key	Item	Part No.
A	— PLUG	7374954	FF	— SEAL	7374957
B	— SEAL	7374956	GG	— CUP	706845
C	— RING	7374955	HH	— CONE	705436
D	— WASHER	131017	JJ	— SPACER	7702756
E	— SCREW	119504	KK	— HOUSING	BRA-LU4-134
F	— HANDLE	BRA-LU4-143B	LL	— KEY	7412419
G	— KNOB	7412420	MM	— SHAFT	7374959
H	— SPRING	7412464	NN	— GASKET	7413024
J	— SHAFT	7412454	PP	— COVER	BRA-LU4-144
K	— KEY	103905	QQ	— VENT, ASSY	5196397
L	— SHAFT	7374958	RR	— SCREW	122433
M	— SCREW	133906	SS	— PLUG	143932
N	— PLATE	BRA-LU4-193C	TT	— GEAR	7412418
P	— HOUSING	BRA-LU4-133	UU	— WORM	7412468
Q	— BEARING	7412403	VV	— SHAFT	7378242
R	— SEAL	7413025	WW	— NUT	120613
S	— RING	7412456	XX	— SPRING	7412462
T	— FORK	7374953	YY	— HOUSING	7374951
U	— SCREW	139077	ZZ	— BAND, ASSY	7351201
V	— CLUTCH	7374952	AB	— KEY	113782
W	— BEARING	7413023	AC	— DRUM	7412415
X	— DRUM, ASSY	BRA-LU4-135O	AD	— KEY	542607
Y	— PLATE	BRA-LU4-184A	AE	— SEAL	7413022
Z	— WASHER	120384	AF	— NUT	124595
AA	— SCREW	120426	AG	— BAR	BRA-LU4-184B
BB	— GASKET	5249623	AH	— KEY	543038
CC	— RETAINER	BRA-LU4-149	AJ	— SCREW	120628
DD	— SCREW	120918	AK	— WASHER	120380
EE	— WASHER	120382	AL	— BRAKE	8328017

FRONT WINCH ASSY. 7728126

**FRONT WINCH
DRIVE SHAFT**

TRUCK, CARGO: 1 1/4 TON, 4x4, M715
KAISER Jeep CORPORATION



Winch Drive Shafts

TRUCK, CARGO: 1¼ TON, 4x4, M715
KAISER Jeep CORPORATION

**FRONT WINCH
DRIVE SHAFT**

<u>Key No.</u>	<u>Description</u>	<u>Federal Stock No.</u>	<u>Ordnance Part No.</u>	<u>Manufacturer's Part No.</u>	<u>Qty. Per Assy.</u>
1	Pin	5315-9359084	7745632		1
2	Universal Joint Assy., Front	2520-4840768	11640827		1
	Kit, Repair, U-Joint	2520-9170781	5704441		3
	(Incl. #3 thru 7)				
8	Fitting	4730-0504208	MS15003-1		3
9	Fitting	4730-0504203	MS15001-1		2
10	Shaft, Front	2590-2480639	11657025		1
11	Pin	5315-6648075	MS171689		1
12	Universal Joint Assy., Intermediate	2520-4840769	11640835		1
13	Key	5315-0218211	MS35756-35		2
14	Set Screw	5305-7246810	MS51963-101		2
15	Universal Joint Assy., Rear	2520-4873780	11640813		1
16	Shaft, Intermediate	2590-2480638	11650726		1
17	Collar Assy.	2590-2480637	11657422		2
18	Collar Only		11657422-1		2
19	Set Screw	5305-7245822	MS51964-79		2
20	Nut	5310-0442823	MS51943-31		3
21	Flange	2590-2480635	11640828		1
22	Screw	5305-0680502	MS90725-6		3
23	Screw	5305-2259087	MS90725-32		2
24	Washer	5310-0814219	MS27183-12		2
25	Pin	5315-8423044	MS24665-283		1
26	Screw	5305-2692806	MS90726-63		1
27	Nut	5310-8140672	MS51943-36		1
28	Bracket	2590-2480769	11657027		1
29	Screw	5305-0712055	MS90726-89		1
30	Brace		11657035		1
31	Stud		11657035-1		1
32	Nut	5310-8140673	MS51943-33		2
33	Nut	5310-9824912	MS51943-34		2
	Not Pictured				
	Power Take Off Assy.	2520-9333734		65909-943640	1
	Linkage Assy., PTO Shift		11657423		1

TRUCK, CARGO: 1¼ TON, 4x4, M715
KAISER Jeep CORPORATION

TECHNICAL INFORMATION

The following items of technical information are those most frequently required when performing normal maintenance and/or repairs:

BATTERY:		OPERATING OIL PRESSURE: (at normal operating temperature of 160°)	
2 each 12 volt wired in series — negative ground — 45 amp-hrs.		10 lbs. @ 600 rpm	
		25 lbs. @ 2000 rpm	
ENGINE COMPRESSION:		RADIATOR CAP:	
Ratio	7.50:1	Relief Pressure	15 psi
FIRING ORDER:	1-5-3-6-2-4	SPARK PLUG GAP:	.030
IDLE SPEED:	600-650 rpm	THERMOSTAT:	190°F
IGNITION TIMING:	5° BTC	VALVE CLEARANCE: (at normal operating temperature at idle)	
POINT GAP:	.020	Intake	.008
		Exhaust	.008

TORQUE SPECIFICATIONS

The following are the most frequently required torque specifications, in Pounds-Feet, for routine maintenance and/or repairs:

ENGINE:	
Cam Bearing Deck to Cylinder Head Studs	12-15
Carburetor to Intake Manifold	15-20
Connecting Rod Bolt Cap Nut	40-50
Cylinder Head and Bearing Deck to Cylinder Block	80-95
Exhaust Manifold to Cylinder Head	25-30
Intake Manifold to Cylinder Head	15-20
Main Bearing Cap Bolt	80-95
Oil Filter to Cylinder Block	45-50
Oil Pan Drain Plug	25-30
Oil Pan to Cylinder Block	10-17
Spark Plug to Cylinder Head	26-30
Vibration Damper to Crankshaft	100-130
CHASSIS:	
Pressure Plate to Flywheel	25-35
Propeller Shaft U-Joint Flange	13-18
Rear Axle Shaft Flange	32-50
Steering Arm Nut	110-140
Steering Wheel Nut	18-30
Transmission Main Shaft Nut	130-170
Wheel to Hub Nuts	250-300