

# PARTS LIST

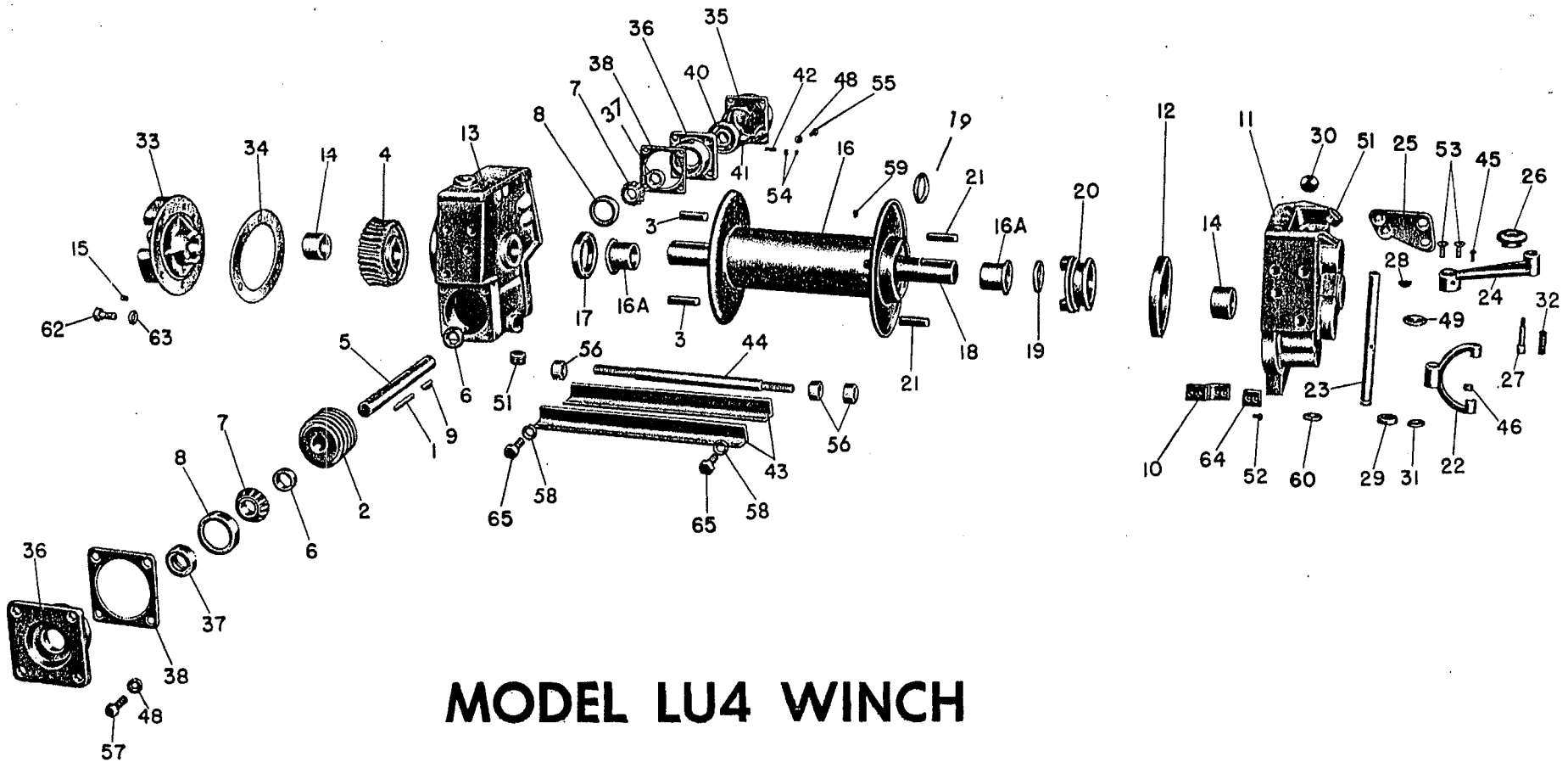
**BRADEN**  **WINCH**

DIVISION OF  
BRADEN-AERMOTOR CORPORATION  
BROKEN ARROW, OKLAHOMA 74012  
PHONE (918) 251-8511

**WINCH MODEL  
LU4**

## MODEL LU4 WINCH

REF. NO.	NAME	PART NO.	NO. REQ'D	REF. NO.	NAME	PART NO.	NO. REQ'D
1	Worm Key	MU-100A	1	32	Shifter Spring	MU-143S	1
2	Worm	MU-100R	1	33	Housing Cover and Bushing Assembly	LU4-144-0	1
3	Worm Gear Key	MU-101A	2	34	Cover Gasket	LU4-144G	1
4	Worm Gear	MU-101R	1	35	Worm Brake Housing	LU4-148	1
5	Worm Shaft	MU2-202	1	36	Bearing Container and Brg. Race Assem.	LU4-149-0	2
6	Worm Spacer	MU-102S	2	37	Seal, Bearing Container	LU4-149A	2
7	Bearing Cone	MU-103A	2	38	Gasket, Bearing Container	MU-149G	as req.
8	Bearing Cup	MU-103B	2	39	Gasket, Safety Brake Hsg. (not shown)	MU-148G	as req.
9	Brake Drum Key	B-118A	1	40	Brake Drum	MU-151	1
10	Drag Brake Assembly	LU4-131-0	1	41	Brake Band Assembly	MU-152-0	1
	Brake Spring	LU4-131	1	42	Brake Spring	MU-156	1
	Brake Lining	LU4-131A	1	43	Bracket	LU4-284A	2
	Lining Rivet	LU4-131R	2	44	Spacer Bar	LU4-184B	1
11	Clutch Housing and Bushing Assembly	LU4-133-0	1	45	Handle Set Screw	250-03SA	1
12	Seal, Clutch Housing	LU4-133A	1	46	Shifter Set Screw	375-05BA	1
13	Worm Housing and Bushing Assembly	LU4-134-0	1	47	Lockwasher (not shown)	A2500	2
14	Housing Bushing	MU-134B	3	48	Lockwasher	A3750	8
15	Breather Plug	J2-134E	1	49	Plain Washer	C7500	1
16	Cable Drum Assembly	LU4-135-0	1	50	Level Plug (not shown)	E113H	2
16A	Cable Drum Bushing	LU4-135B	2	51	Drain Plug	E118H CS	4
17	Seal, Cable Drum	LU4-135A	1	52	Drag Brake Screw	MS250-07	2
18	Cable Drum Shaft	LU4-136	1	53	Indexing Plate Screw	MSS375-10	2
19	Retaining Ring	MU-139	2	54	Hex. Nut	B250J	4
20	Clutch	M2-141	1	55	Capscrew	S375-12	4
21	Clutch Key	MU-141A	2	56	Nut	S750P	3
22	Shifter Fork	LU4-143	1	57	Capscrew	S375-10	4
23	Shifter Shaft	LU4-143A	1	58	Lockwasher	A5000	4
24	Clutch Handle	LU4-143B	1	59	Set Screw	312-06SA	1
25	Plate, Clutch Indexing	LU4-143C	1	60	Spacer, Shifter Shaft	LU4-143W	1
26	Knob, Shifter Handle	MU-143D	1	61	Set Screw, S. B. Drum (not shown)	250-05S	1
27	Stem, Shifter Handle	MU-143E	1	62	Capscrew	S500-15	3
28	Woodruff Key	LU4-143F	1	63	Lockwasher	AS500	3
29	Seal, Shifter Handle	LU4-143H	1	64	Spacer	LU4-131S	1
30	Welsh Plug	LU4-143J	3	65	Capscrew	S500-10	4
31	Truarc Snap Ring	LU4-143K	1				



**MODEL LU4 WINCH**